



# Mast mount

Brackets

**MOUNTING SYSTEMS**

**SICK**  
Sensor Intelligence.



Illustration may differ

### Ordering information

Type	part no.
Mast mount	2079939

Other models and accessories → [www.sick.com/Brackets](http://www.sick.com/Brackets)

### Detailed technical data

#### Features

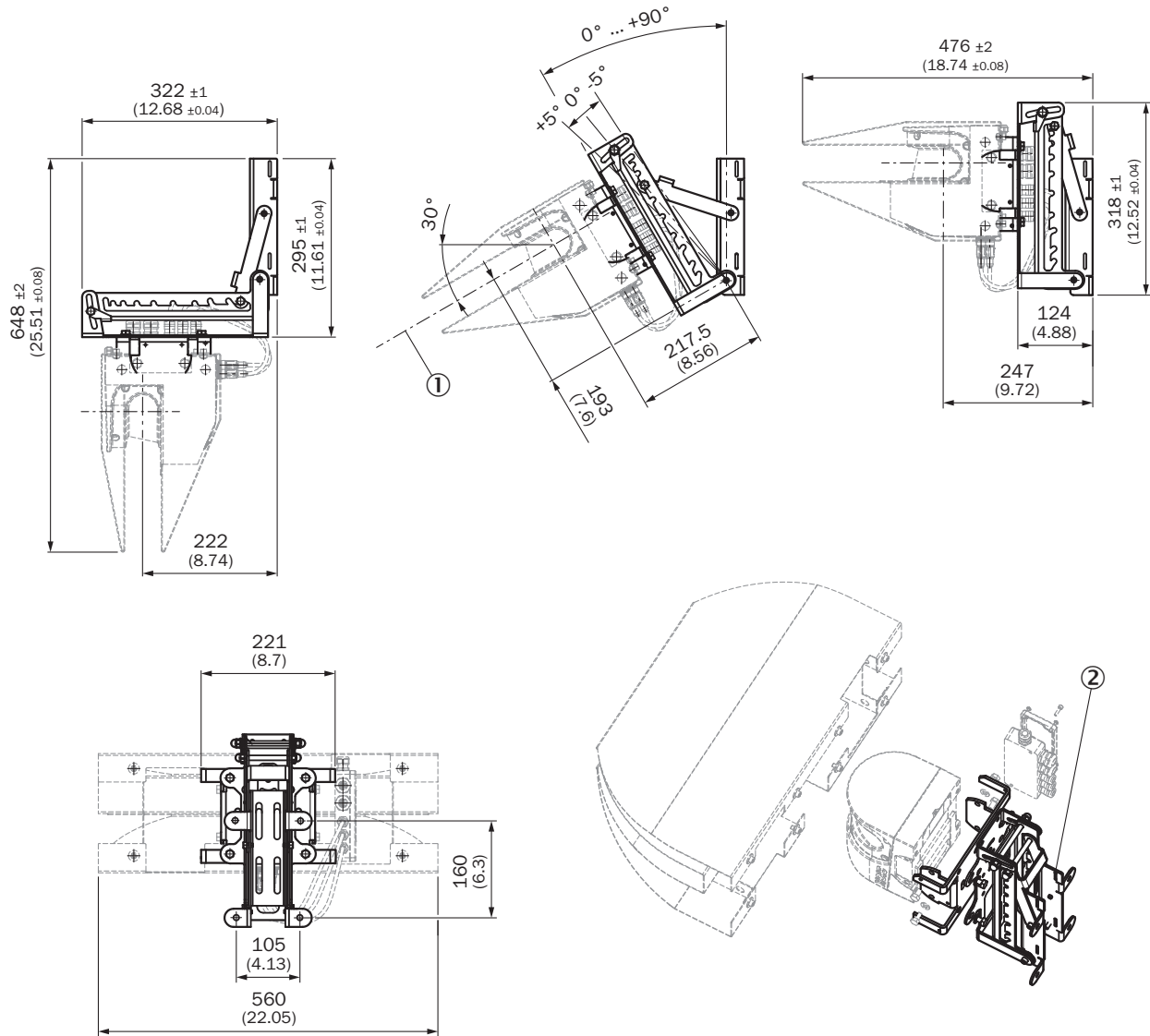
<b>Accessory group</b>	Mounting systems
<b>Accessory family</b>	Brackets
<b>Description</b>	Mast mount. When mounting with tightening straps, suitable for mast diameter of 95 mm or greater.
<b>Suitable for</b>	LMS5xx, LMS1xx, LMS1xxx/MRS1000, multiScan100
<b>Material</b>	Stainless steel 1.4301 (V2A)
<b>Items supplied</b>	Post bracket Mounting screws
<b>Dimensions (W x H x L)</b>	157 mm x 318 mm x 124 mm
<b>Application</b>	Only suitable for static applications and for mounting on vertical surfaces or masts.
<b>Weight</b>	2.8 kg
<b>Mounting system type</b>	Brackets

#### Classifications

<b>ECLASS 5.0</b>	27279202
<b>ECLASS 5.1.4</b>	27279202
<b>ECLASS 6.0</b>	27279202
<b>ECLASS 6.2</b>	27279202
<b>ECLASS 7.0</b>	27279202
<b>ECLASS 8.0</b>	27279202
<b>ECLASS 8.1</b>	27279202
<b>ECLASS 9.0</b>	27273701
<b>ECLASS 10.0</b>	27273701
<b>ECLASS 11.0</b>	27273701
<b>ECLASS 12.0</b>	27273701
<b>ETIM 5.0</b>	EC002024
<b>ETIM 6.0</b>	EC002024
<b>ETIM 7.0</b>	EC002024

<b>ETIM 8.0</b>	EC002024
<b>UNSPSC 16.0901</b>	32131023

Dimensional drawing

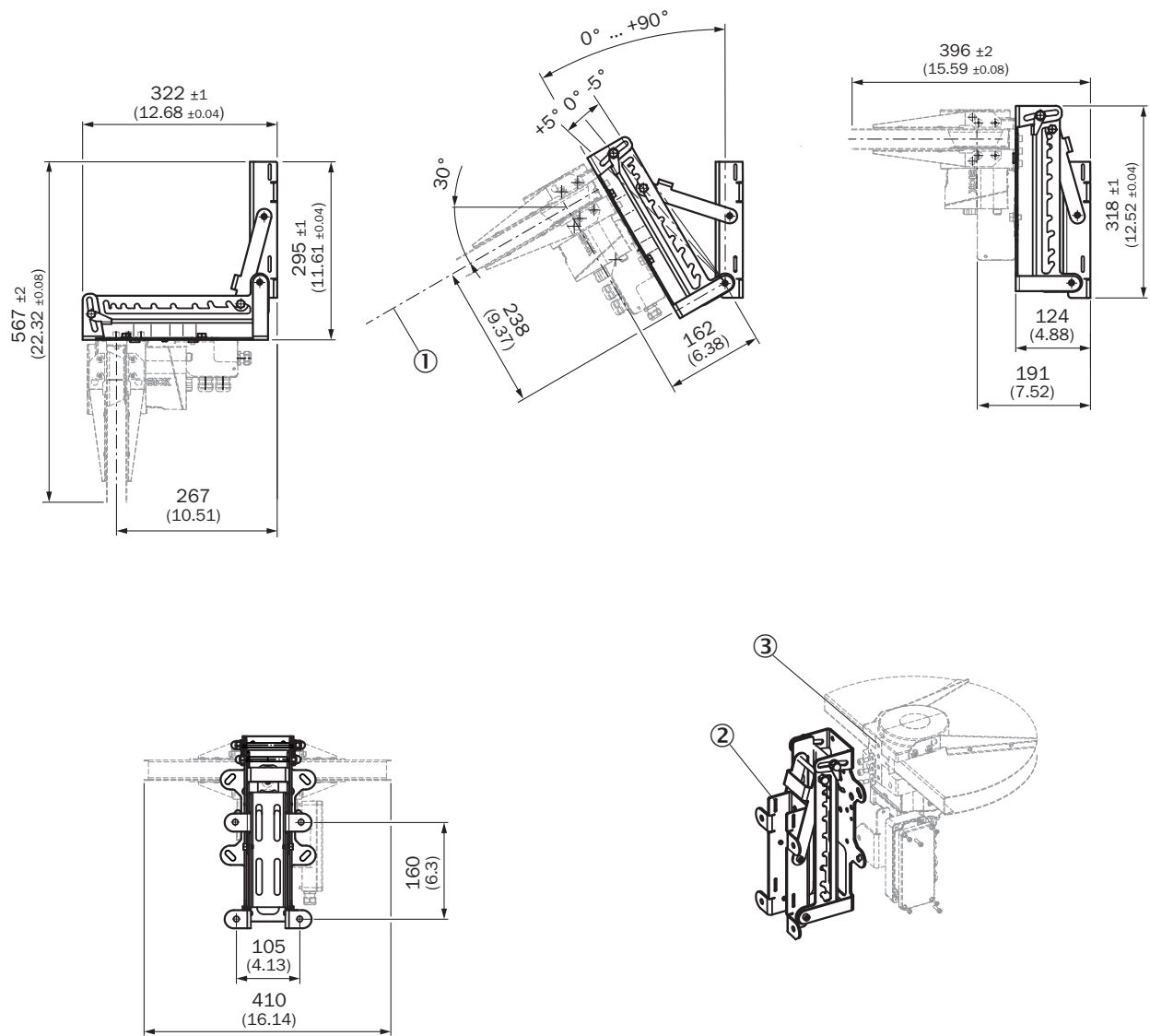


Dimensions in mm (inch)

Only certified self-locking screws may be used.

- ① Center of the optical axis
- ② Groove for tightening straps

## Dimensional drawing

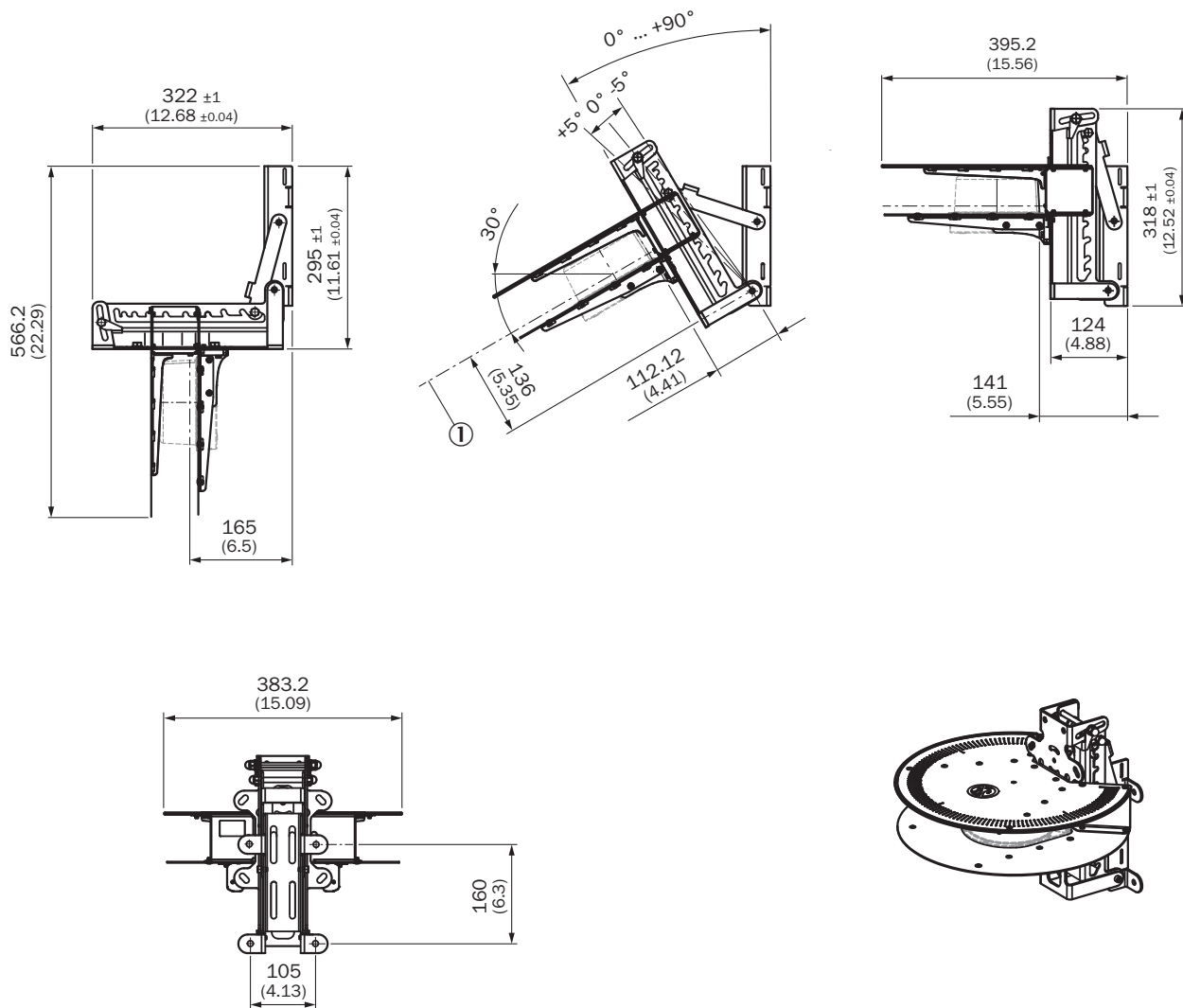


Dimensions in mm (inch)

The LMS1xx can only be mounted with a weather protection hood. Only certified self-locking screws may be used.

- ① Along the optical axis
- ② Groove for tightening straps
- ③ Top threaded hole remains free!

Dimensional drawing

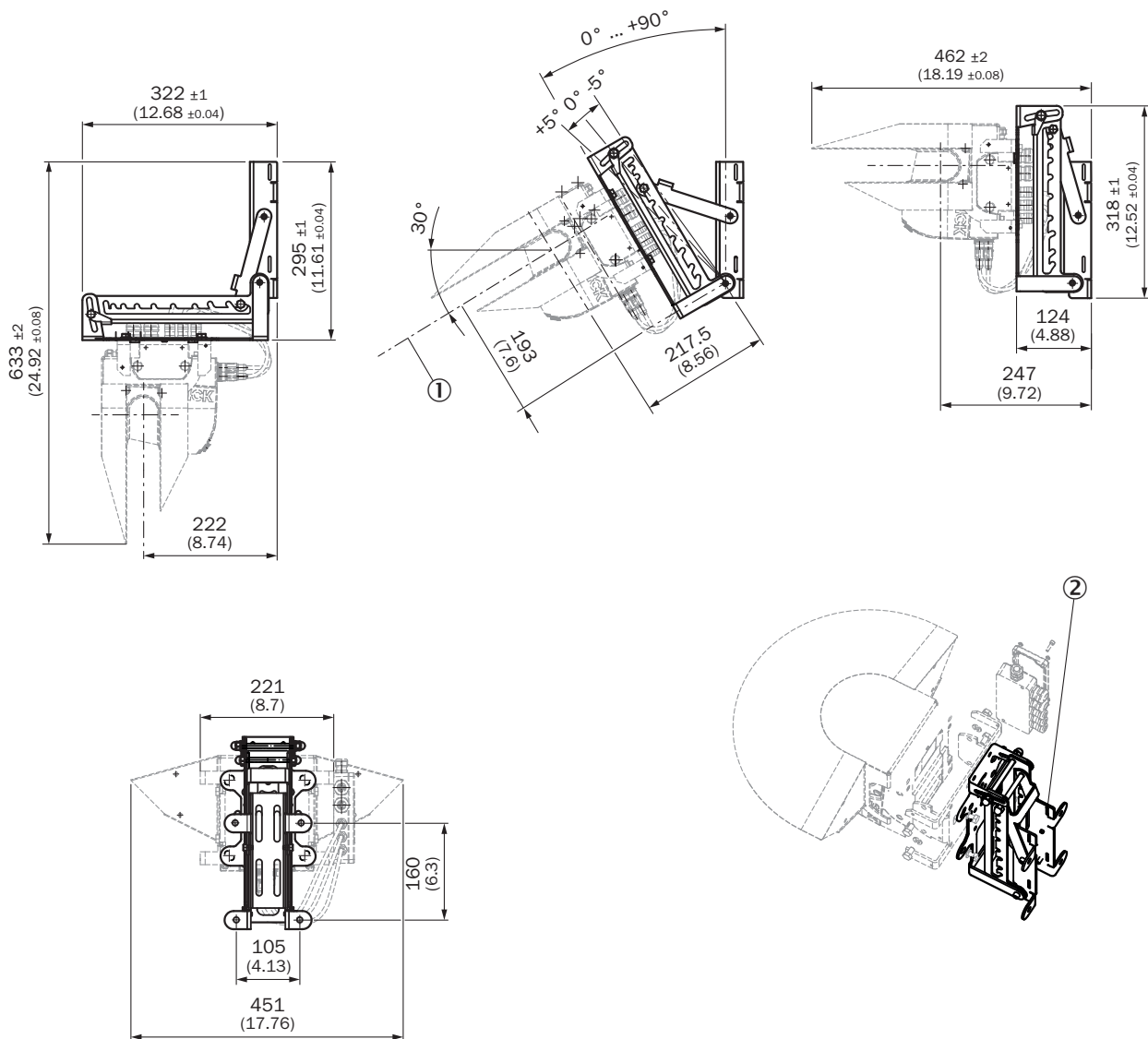


Dimensions in mm (inch)

Mount the MRS1000 / LMS1000 using only the 2085937 mounting kit 2, 2085939 weather protection hood 210°, 2085938 weather protection hood 275°. Only certified self-locking screws may be used.

① Center of the optical axis (sender)

Dimensional drawing



Dimensions in mm (inch)

Only certified self-locking screws may be used.

- ① Center of the optical axis
- ② Groove for tightening straps

## SICK AT A GLANCE

SICK is one of the leading manufacturers of intelligent sensors and sensor solutions for industrial applications. A unique range of products and services creates the perfect basis for controlling processes securely and efficiently, protecting individuals from accidents and preventing damage to the environment.

We have extensive experience in a wide range of industries and understand their processes and requirements. With intelligent sensors, we can deliver exactly what our customers need. In application centers in Europe, Asia and North America, system solutions are tested and optimized in accordance with customer specifications. All this makes us a reliable supplier and development partner.

Comprehensive services complete our offering: SICK LifeTime Services provide support throughout the machine life cycle and ensure safety and productivity.

For us, that is “Sensor Intelligence.”

## WORLDWIDE PRESENCE:

Contacts and other locations –[www.sick.com](http://www.sick.com)