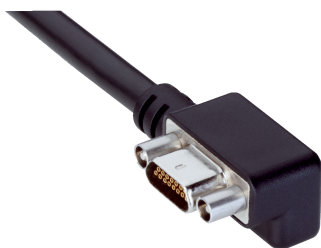


## Connecting cable

Other connectors and cables

CONNECTORS AND CABLES

**SICK**  
Sensor Intelligence.



### Ordering information

Type	part no.
Connecting cable	2077263

Other models and accessories → [www.sick.com/Other\\_connectors\\_and\\_cables](http://www.sick.com/Other_connectors_and_cables)



### Detailed technical data

#### Technical specifications

<b>Connection type head A</b>	Male connector, Micro D-Sub, 15-pin, angled
<b>Connection type head B</b>	Flying leads
<b>Connection type</b>	Flying leads
<b>Cable</b>	2 m
<b>Shielding</b>	Shielded
<b>Note</b>	For direct encoder connection

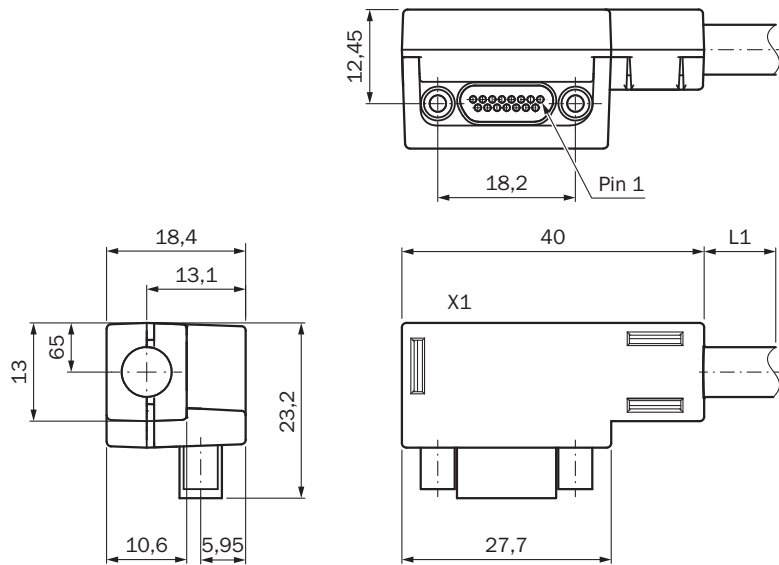
#### Certificates

<b>EU declaration of conformity</b>	✓
<b>UK declaration of conformity</b>	✓

#### Classifications

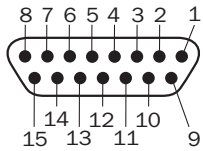
<b>ECLASS 5.0</b>	27279201
<b>ECLASS 5.1.4</b>	27279201
<b>ECLASS 6.0</b>	27279201
<b>ECLASS 6.2</b>	27279201
<b>ECLASS 7.0</b>	27279201
<b>ECLASS 8.0</b>	27279201
<b>ECLASS 8.1</b>	27279201
<b>ECLASS 9.0</b>	27060311
<b>ECLASS 10.0</b>	27060311
<b>ECLASS 11.0</b>	27060311
<b>ECLASS 12.0</b>	27060311
<b>ETIM 5.0</b>	EC001855
<b>ETIM 6.0</b>	EC001855
<b>ETIM 7.0</b>	EC001855
<b>ETIM 8.0</b>	EC001855
<b>UNSPSC 16.0901</b>	31163032

### Dimensional drawing



Dimensions in mm (inch)

### PIN assignment



Head A		Head B								
Male connector, Micro D-Sub, 15-pin		Flying leads, 15-wire								
Head A for connection to FX3-MOC		Head B for direct encoder connection (2 encoders)		Sin/cos encoder		A/B incremental encoder			SSI encoder	
Pin	Designation	Wire color	Encoder no.	Sin/Cos	HIPER-FACE®	2 output pairs (HTL 24 V, HTL 12 V, TTL)	2 outputs (HTL 24 V, HTL 12 V, TTL)	2 output pairs (RS-422)	SSI	
1	ENC1_A+	White	E1	Cos+	Cos	A+	A	A+	Data+	
2	ENC1_B+	Green	E1	Sin+	Sin	B+	B	-	-	
3	ENC1_C+	Gray	E1	-	-	-	-	B+	Clock+	
4	ENC1_24V	Blue	E1	24 V supply voltage						
5	ENC2_24V	Red	E2	24 V supply voltage						
6	ENC2_C+	White-green	E2	-	-	-	-	-	Clock+	
7	ENC2_B+	Gray-pink	E2	Sin+	Sin	B+	B	-	-	
8	ENC2_A+	Black	E2	Cos+	Cos	A+	A	-	Data+	
9	ENC1_A-	Brown	E1	Cos-	Cos_Ref	A-	GND	A-	Data-	
10	ENC1_B-	Yellow	E1	Sin-	Sin_Ref	B-	GND	-	-	
11	ENC1_C-	Pink	E1	-	-	-	-	B-	Clock-	

# Connecting cable | Other connectors and cables

## CONNECTORS AND CABLES

Head A		Head B								
12	ENC_OV	White-yellow	E1 and E2	GND supply voltage						
13	ENC2_C-	Brown-green	E2	-	-	-	-	-	Clock-	
14	ENC2_B-	Red-blue	E2	Sin-	Sin_Ref	B-	GND	-	-	
15	ENC2_A-	Violet	E2	Cos-	Cos_Ref	A-	GND	-	Data-	

## SICK AT A GLANCE

SICK is one of the leading manufacturers of intelligent sensors and sensor solutions for industrial applications. A unique range of products and services creates the perfect basis for controlling processes securely and efficiently, protecting individuals from accidents and preventing damage to the environment.

We have extensive experience in a wide range of industries and understand their processes and requirements. With intelligent sensors, we can deliver exactly what our customers need. In application centers in Europe, Asia and North America, system solutions are tested and optimized in accordance with customer specifications. All this makes us a reliable supplier and development partner.

Comprehensive services complete our offering: SICK LifeTime Services provide support throughout the machine life cycle and ensure safety and productivity.

For us, that is “Sensor Intelligence.”

## WORLDWIDE PRESENCE:

Contacts and other locations –[www.sick.com](http://www.sick.com)