



# C4000 Standard adapter kit for deTec4 ADO

Brackets

**MOUNTING SYSTEMS**

**SICK**  
Sensor Intelligence.



### Ordering information

Type	part no.
C4000 Standard adapter kit for deTec4 ADO	2075993

Other models and accessories → [www.sick.com/Brackets](http://www.sick.com/Brackets)

### Detailed technical data

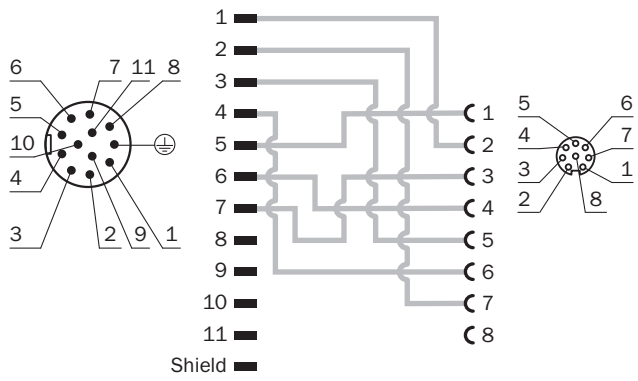
#### Features

<b>Accessory group</b>	Mounting systems
<b>Accessory family</b>	Brackets
<b>Description</b>	Adapter kit for easy exchange of C4000 Standard with deTec4 with system plug 2076834 (functional scope SP1; system connection M12, 8-pin; without extension connection).
<b>Items supplied</b>	All electrical and mechanical adapters for exchanging sender and receiver (4 brackets and 2 cables).
<b>Specialty</b>	The “reset required” signal is not transmitted, see pin assignment graphic.
<b>Mounting system type</b>	Adaptor

#### Classifications

<b>ECLASS 5.0</b>	27279290
<b>ECLASS 5.1.4</b>	27279290
<b>ECLASS 6.0</b>	27279290
<b>ECLASS 6.2</b>	27279290
<b>ECLASS 7.0</b>	27279290
<b>ECLASS 8.0</b>	27279290
<b>ECLASS 8.1</b>	27279290
<b>ECLASS 9.0</b>	27279090
<b>ECLASS 10.0</b>	27279090
<b>ECLASS 11.0</b>	27279090
<b>ECLASS 12.0</b>	27279090
<b>ETIM 5.0</b>	EC001195
<b>ETIM 6.0</b>	EC001195
<b>ETIM 7.0</b>	EC001195
<b>ETIM 8.0</b>	EC001195

### PIN assignment



## SICK AT A GLANCE

SICK is one of the leading manufacturers of intelligent sensors and sensor solutions for industrial applications. A unique range of products and services creates the perfect basis for controlling processes securely and efficiently, protecting individuals from accidents and preventing damage to the environment.

We have extensive experience in a wide range of industries and understand their processes and requirements. With intelligent sensors, we can deliver exactly what our customers need. In application centers in Europe, Asia and North America, system solutions are tested and optimized in accordance with customer specifications. All this makes us a reliable supplier and development partner.

Comprehensive services complete our offering: SICK LifeTime Services provide support throughout the machine life cycle and ensure safety and productivity.

For us, that is “Sensor Intelligence.”

## WORLDWIDE PRESENCE:

Contacts and other locations –[www.sick.com](http://www.sick.com)