



C4000 Standard adapter kit for deTec4 RES

Brackets

MOUNTING SYSTEMS

SICK
Sensor Intelligence.

C4000 Standard adapter kit for deTec4 RES | Brackets

MOUNTING SYSTEMS



Ordering information

Type	part no.
C4000 Standard adapter kit for deTec4 RES	2075992

Other models and accessories → www.sick.com/Brackets

Detailed technical data

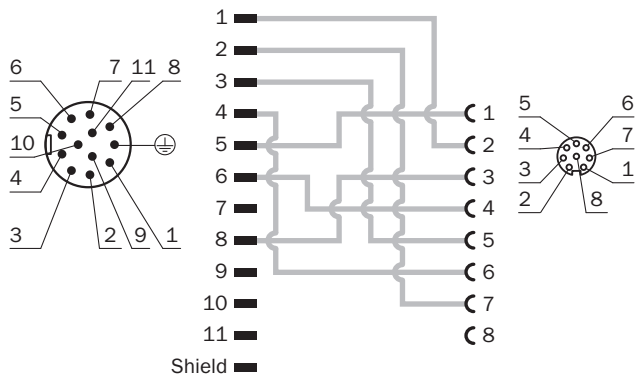
Features

Accessory group	Mounting systems
Accessory family	Brackets
Description	Adapter kit for easy exchange of C4000 Standard with deTec4 with system plug 2076834 (functional scope SP1; system connection M12, 8-pin; without extension connection).
Items supplied	All electrical and mechanical adapters for exchanging sender and receiver (4 brackets and 2 cables).
Specialty	The “application diagnostic output (ADO)” signal is not transmitted, see pin assignment graphic.
Mounting system type	Adaptor

Classifications

ECLASS 5.0	27279290
ECLASS 5.1.4	27279290
ECLASS 6.0	27279290
ECLASS 6.2	27279290
ECLASS 7.0	27279290
ECLASS 8.0	27279290
ECLASS 8.1	27279290
ECLASS 9.0	27279090
ECLASS 10.0	27279090
ECLASS 11.0	27279090
ECLASS 12.0	27279090
ETIM 5.0	EC001195
ETIM 6.0	EC001195
ETIM 7.0	EC001195
ETIM 8.0	EC001195

PIN assignment



SICK AT A GLANCE

SICK is one of the leading manufacturers of intelligent sensors and sensor solutions for industrial applications. A unique range of products and services creates the perfect basis for controlling processes securely and efficiently, protecting individuals from accidents and preventing damage to the environment.

We have extensive experience in a wide range of industries and understand their processes and requirements. With intelligent sensors, we can deliver exactly what our customers need. In application centers in Europe, Asia and North America, system solutions are tested and optimized in accordance with customer specifications. All this makes us a reliable supplier and development partner.

Comprehensive services complete our offering: SICK LifeTime Services provide support throughout the machine life cycle and ensure safety and productivity.

For us, that is “Sensor Intelligence.”

WORLDWIDE PRESENCE:

Contacts and other locations –www.sick.com