



BEF-KHS-N03NS01

Brackets

MOUNTING SYSTEMS

SICK
Sensor Intelligence.



Illustration may differ

Ordering information

Type	part no.
BEF-KHS-N03NS01	2071967

Included in delivery: BEF-KHS-KH1 (1)

Other models and accessories → www.sick.com/Brackets

Detailed technical data

Features

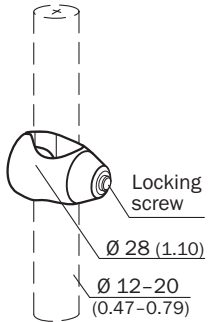
Accessory group	Mounting systems
Accessory family	Brackets
Description	Plate N03N for universal clamp bracket, for clamp diameter 12 mm ... 20 mm
Material	Stainless steel 1.4571 (sheet), Zinc plated steel (clamp)
Items supplied	Universal clamp (2022726), mounting hardware
Usable for	W11-2 W12-3 W12-2 Laser W12G W12 Teflon W14-2 W16 W18-3 W24-2 Ex PowerProx Mini Speed W11G-2 W18-2 TranspaTect W18-3 Ex PowerProx Speed W24-2 PL50A PL80A PowerProx Small PL40A P250
Mounting system type	Mounting plate

Classifications

ECLASS 5.0	27279202
ECLASS 5.1.4	27279202
ECLASS 6.0	27279202
ECLASS 6.2	27279202
ECLASS 7.0	27279202
ECLASS 8.0	27279202

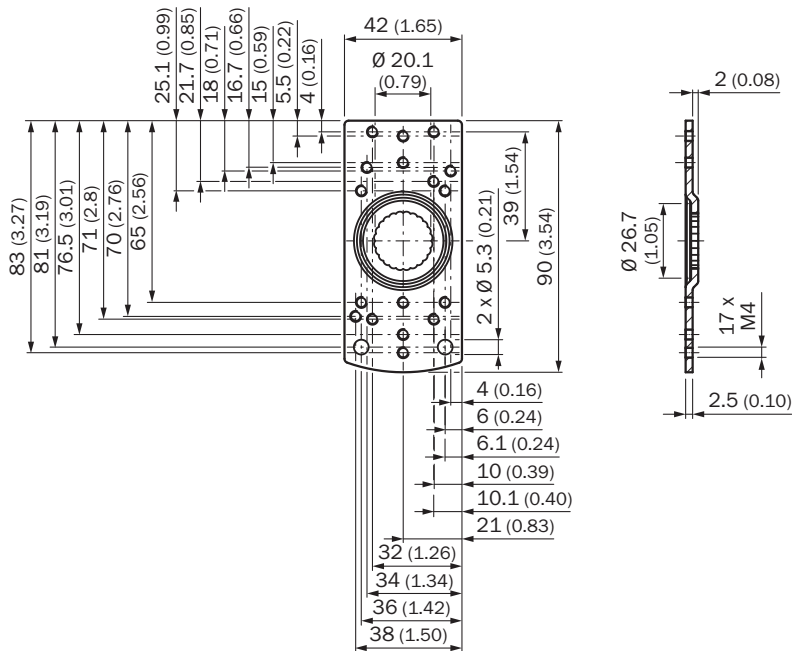
ECLASS 8.1	27279202
ECLASS 9.0	27273701
ECLASS 10.0	27273701
ECLASS 11.0	27273701
ECLASS 12.0	27273701
ETIM 5.0	EC002024
ETIM 6.0	EC002024
ETIM 7.0	EC002024
ETIM 8.0	EC002024
UNSPSC 16.0901	32131023

Dimensional drawing



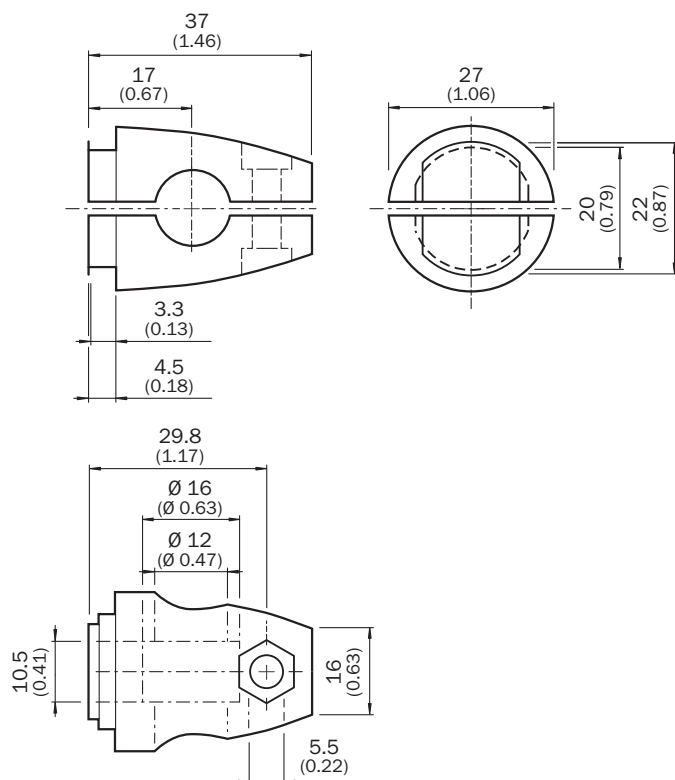
Dimensions in mm (inch)

Dimensional drawing



Dimensions in mm (inch)

Dimensional drawing




Dimensions in mm (inch)

BEF-KHS-KH3

Recommended accessories

Other models and accessories → www.sick.com/Brackets

	Brief description	Type	part no.
Mounting systems			
	<ul style="list-style-type: none"> Description: Mounting bar, straight, 300 mm, stainless steel Material: Stainless steel Details: Stainless steel (1.4571) 	BEF-MS12G-NB	4058915

SICK AT A GLANCE

SICK is one of the leading manufacturers of intelligent sensors and sensor solutions for industrial applications. A unique range of products and services creates the perfect basis for controlling processes securely and efficiently, protecting individuals from accidents and preventing damage to the environment.

We have extensive experience in a wide range of industries and understand their processes and requirements. With intelligent sensors, we can deliver exactly what our customers need. In application centers in Europe, Asia and North America, system solutions are tested and optimized in accordance with customer specifications. All this makes us a reliable supplier and development partner.

Comprehensive services complete our offering: SICK LifeTime Services provide support throughout the machine life cycle and ensure safety and productivity.

For us, that is “Sensor Intelligence.”

WORLDWIDE PRESENCE:

Contacts and other locations –www.sick.com