



# BEF-KHZR210MPA

Brackets

**MOUNTING SYSTEMS**

**SICK**  
Sensor Intelligence.



### Ordering information

Type	part no.
BEF-KHZR210MPA	2066628

Other models and accessories → [www.sick.com/Brackets](http://www.sick.com/Brackets)

### Detailed technical data

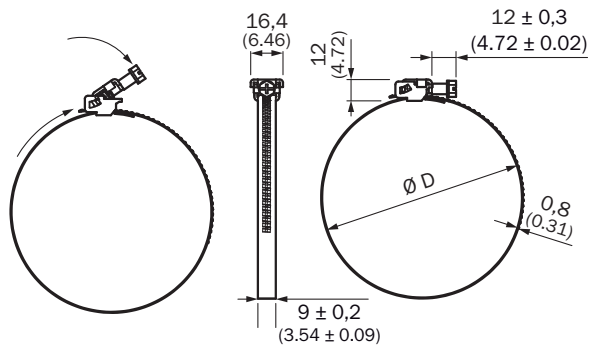
#### Features

<b>Accessory group</b>	Mounting systems
<b>Accessory family</b>	Brackets
<b>Description</b>	For round body cylinders with diameter up to 210 mm Mounting clip for round cylinder, clamping range 9.2 mm ... 10 mm, for piston rod diameter 8 mm
<b>Material</b>	Stainless steel V2A
<b>Usable for</b>	MPA-107 mm ... 359 mm (measuring range sensor), 2 (recommended number brackets) MPA-395 mm ... 647 mm (measuring range sensor), 3 (recommended number brackets) MPA-683 mm ... 935 mm (measuring range sensor), 4 (recommended number brackets) MPA-971 mm ... 1,007 mm (measuring range sensor), 5 (recommended number brackets)
<b>Mounting system type</b>	Strap

#### Classifications

<b>ECLASS 5.0</b>	27279202
<b>ECLASS 5.1.4</b>	27279202
<b>ECLASS 6.0</b>	27279202
<b>ECLASS 6.2</b>	27279202
<b>ECLASS 7.0</b>	27279202
<b>ECLASS 8.0</b>	27279202
<b>ECLASS 8.1</b>	27279202
<b>ECLASS 9.0</b>	27273701
<b>ECLASS 10.0</b>	27273701
<b>ECLASS 11.0</b>	27273701
<b>ECLASS 12.0</b>	27273701
<b>ETIM 5.0</b>	EC002024
<b>ETIM 6.0</b>	EC002024
<b>ETIM 7.0</b>	EC002024
<b>ETIM 8.0</b>	EC002024
<b>UNSPSC 16.0901</b>	32131023

Dimensional drawing



Diameter  
(D) mm

<b>BEF-KHZR085MPA</b>	25 - 100
<b>BEF-KHZR135MPA</b>	25 - 150
<b>BEF-KHZR210MPA</b>	25 - 225

Dimensions in mm (inch)

## SICK AT A GLANCE

SICK is one of the leading manufacturers of intelligent sensors and sensor solutions for industrial applications. A unique range of products and services creates the perfect basis for controlling processes securely and efficiently, protecting individuals from accidents and preventing damage to the environment.

We have extensive experience in a wide range of industries and understand their processes and requirements. With intelligent sensors, we can deliver exactly what our customers need. In application centers in Europe, Asia and North America, system solutions are tested and optimized in accordance with customer specifications. All this makes us a reliable supplier and development partner.

Comprehensive services complete our offering: SICK LifeTime Services provide support throughout the machine life cycle and ensure safety and productivity.

For us, that is “Sensor Intelligence.”

## WORLDWIDE PRESENCE:

Contacts and other locations –[www.sick.com](http://www.sick.com)