

The SICK logo is displayed in a large, bold, blue sans-serif font, centered within a white rectangular box. The background of the entire page is a light blue gradient with faint, concentric circular patterns emanating from the center.

## IVCP-H05

Protective caps and hoods

**DEVICE PROTECTION AND CARE**

**SICK**  
Sensor Intelligence.



### Ordering information

Type	part no.
IVCP-H05	2055449

Other models and accessories → [www.sick.com/Protective\\_caps\\_and\\_hoods](http://www.sick.com/Protective_caps_and_hoods)

### Detailed technical data

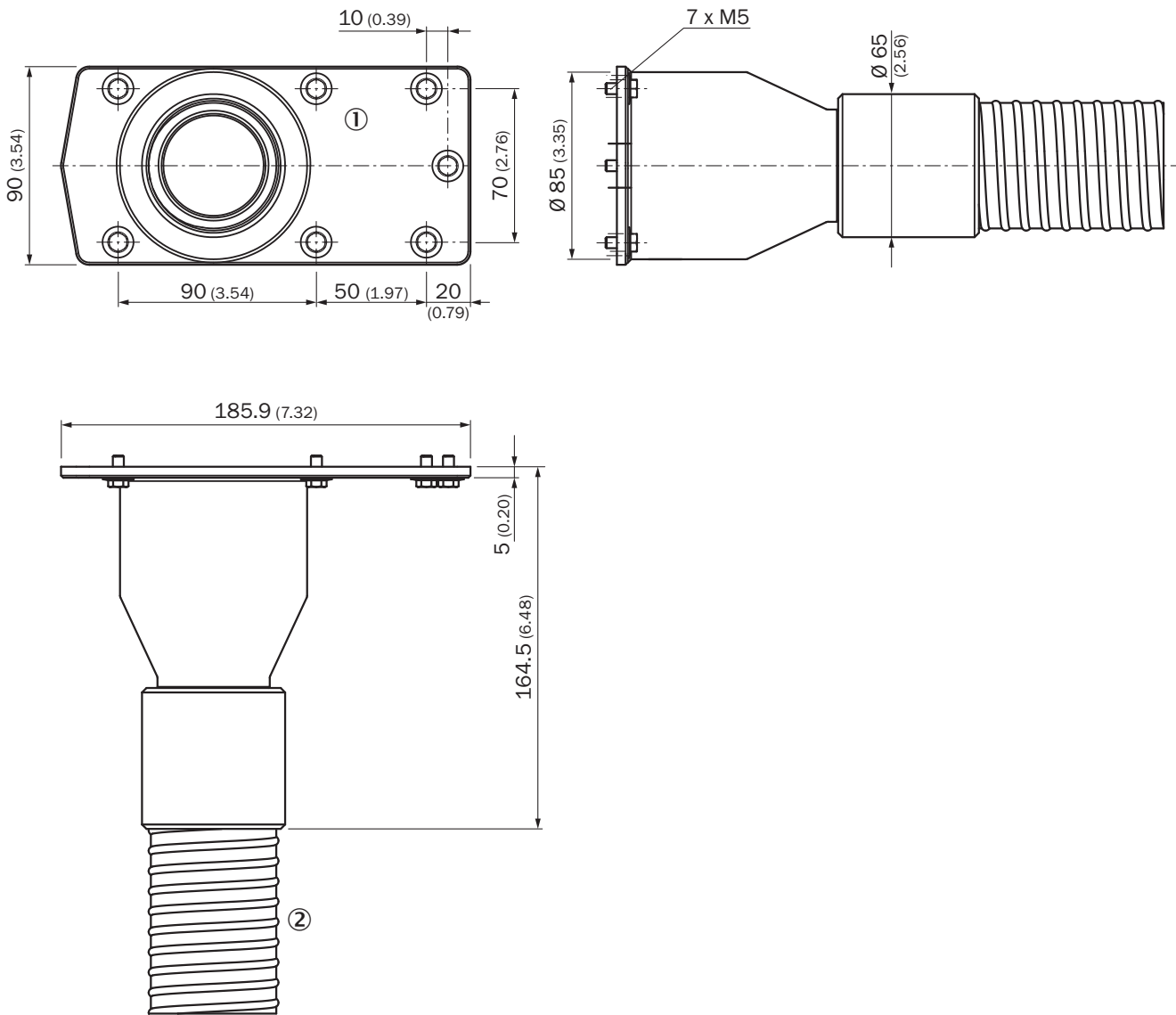
#### Features

<b>Product segment</b>	Device protection and care
<b>Product</b>	Protective caps and hoods
<b>Description</b>	Protective hose 5 m, with adapter plate

#### Classifications

<b>ECLASS 5.0</b>	27379201
<b>ECLASS 5.1.4</b>	27379201
<b>ECLASS 6.0</b>	27379218
<b>ECLASS 6.2</b>	27379218
<b>ECLASS 7.0</b>	27379218
<b>ECLASS 8.0</b>	27379218
<b>ECLASS 8.1</b>	27379218
<b>ECLASS 9.0</b>	27379218
<b>ECLASS 10.0</b>	27371207
<b>ECLASS 11.0</b>	27371207
<b>ECLASS 12.0</b>	27371207
<b>ETIM 5.0</b>	EC002040
<b>ETIM 6.0</b>	EC002040
<b>ETIM 7.0</b>	EC002040
<b>ETIM 8.0</b>	EC002040
<b>UNSPSC 16.0901</b>	39121416

Dimensional drawing



Dimensions in mm (inch)

- ① Adapter plate
- ② Protective hose

## SICK AT A GLANCE

SICK is one of the leading manufacturers of intelligent sensors and sensor solutions for industrial applications. A unique range of products and services creates the perfect basis for controlling processes securely and efficiently, protecting individuals from accidents and preventing damage to the environment.

We have extensive experience in a wide range of industries and understand their processes and requirements. With intelligent sensors, we can deliver exactly what our customers need. In application centers in Europe, Asia and North America, system solutions are tested and optimized in accordance with customer specifications. All this makes us a reliable supplier and development partner.

Comprehensive services complete our offering: SICK LifeTime Services provide support throughout the machine life cycle and ensure safety and productivity.

For us, that is “Sensor Intelligence.”

## WORLDWIDE PRESENCE:

Contacts and other locations –[www.sick.com](http://www.sick.com)