



RZN-03ZUS-KP0

RZN

CYLINDER SENSORS

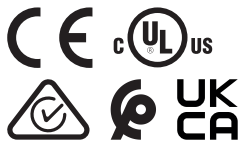
SICK
Sensor Intelligence.



Ordering information

Type	part no.
RZN-03ZUS-KP0	1117649

Other models and accessories → www.sick.com/RZN



Detailed technical data

Features

Cylinder type	IMI Norgren slot
Cylinder types with adapter	Round body cylinder
Housing length	29.5 mm
Switching output	Reed
Switching frequency	400 Hz
Output function	NO
Electrical wiring	AC/DC 2-wire
Enclosure rating	IP67 ¹⁾

¹⁾ According to EN 60529.

Mechanics/electronics

Supply voltage	5 V AC/DC ... 30 V AC/DC
Voltage drop	≤ 3.5 V
Continuous current I_a	≤ 100 mA ¹⁾
Switching capacity	≤ 10 W
Protection class	III
Response sensitivity, typ.	3 mT
Overrun distance, typ.	10 mm ²⁾
Reproducibility	≤ 0.1 mT ³⁾
Status indicator LED	Yes
Teach-in	No
Ambient operating temperature	-40 °C ... +80 °C
Shock and vibration resistance	50 g, 11 ms / 10 ... 55 Hz, 1 mm
EMC	According to EN 60947-5-2
Connection type	Cable with connector M8, 3-pin, drag chain use, 0.3 m

¹⁾ AC.

²⁾ Distance covered by the encoder magnet while the sensor outputs a switching signal.

³⁾ Supply voltage U_B and constant ambient temperature T_a.

Connection type Detail	
Cable diameter	Ø 2.9 mm
Bending radius	With fixed installation > 3 x cable diameter For flexible use > 10 x cable diameter
Torsion force	± 270° / 10 cm
Torsion cycles	> 2,000,000
Cable outlet	Axial
Material	
Housing	Plastic
Cable	PUR
Items supplied	1 x mounting clip plugged in

1) AC.

2) Distance covered by the encoder magnet while the sensor outputs a switching signal.

3) Supply voltage U_B and constant ambient temperature T_a .

Safety-related parameters

MTTF_D	23,876 years
DC_{avg}	0 %
T_M (mission time)	20 years
B_{10D}	790,000 Switching cycles ¹⁾

¹⁾ Only for devices containing electro-mechanical components. In this case, the MTTFD value of the entire device must be calculated from the given B_{10D} value, the number of switching cycles and the given MTTFD value.

Certificates

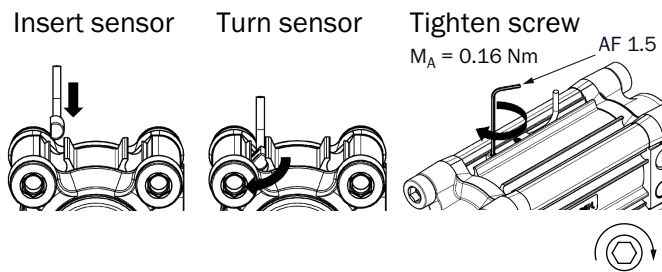
EU declaration of conformity	✓
UK declaration of conformity	✓
ACMA declaration of conformity	✓
Moroccan declaration of conformity	✓
China RoHS	✓
cULus certificate	✓

Classifications

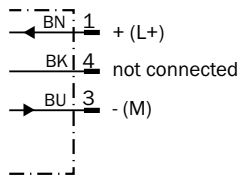
ECLASS 5.0	27270104
ECLASS 5.1.4	27270104
ECLASS 6.0	27270104
ECLASS 6.2	27270104
ECLASS 7.0	27270104
ECLASS 8.0	27270104
ECLASS 8.1	27270104
ECLASS 9.0	27270104
ECLASS 10.0	27270104
ECLASS 11.0	27270104
ECLASS 12.0	27274301
ETIM 5.0	EC002544

ETIM 6.0	EC002544
ETIM 7.0	EC002544
ETIM 8.0	EC002544
UNSPSC 16.0901	39122230

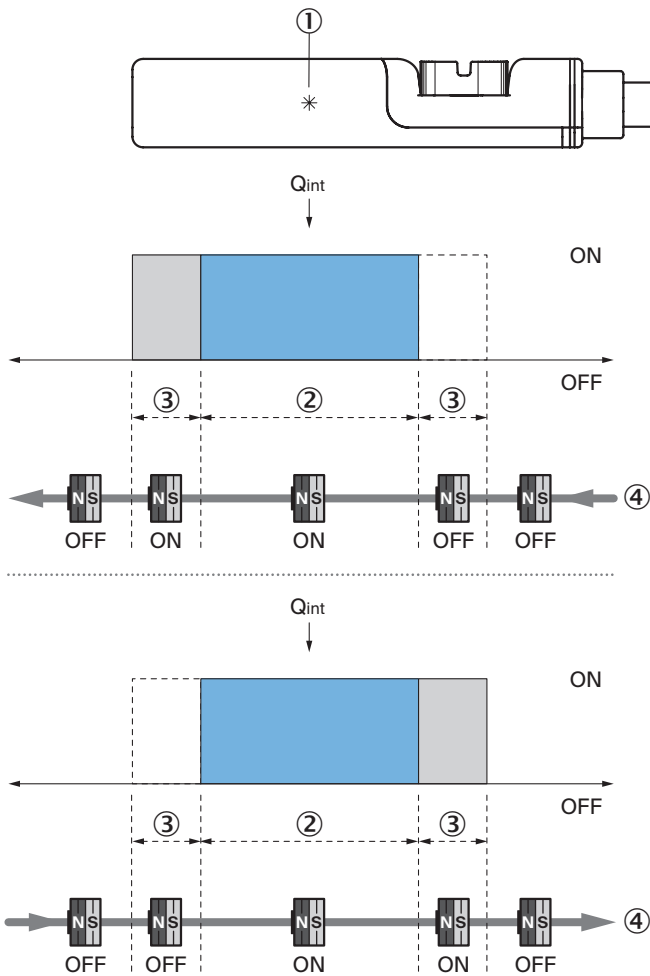
Installation note



Connection diagram Cd-246



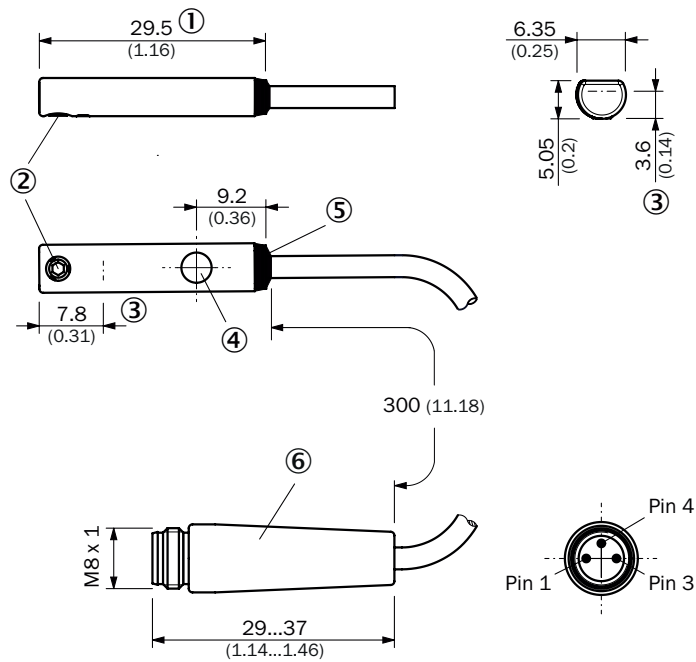
Functional principle Overrun distance



Note: Sensor housing may differ; representation corresponds to “NO contact” output function; overrun distance = switching point width + hysteresis

- ① Position sensor element
- ② Width of the switching point
- ③ Hysteresis
- ④ Direction of movement of the magnet

Dimensional drawing Cable with connector M8



Dimensions in mm (inch)

- ① housing
- ② Fixing screw M3; width across 1.5 mm
- ③ Position sensor element
- ④ Display LED
- ⑤ Delo-Duopox sleeve
- ⑥ Connection

Recommended accessories

Other models and accessories → www.sick.com/RZN

	Brief description	Type	part no.
Mounting systems			
	<ul style="list-style-type: none"> Description: Mounting clip for round body cylinder, clamping range 9.2 mm to 10 mm, for piston rod diameter of 8 mm Material: Plastic Details: Plastic Items supplied: Mounting hardware included 	BEF-S-R1-08	7902337
	<ul style="list-style-type: none"> Description: Mounting clip for round body cylinder, clamping range 10.9 mm to 12 mm, for piston rod diameter of 10 mm Material: Plastic Details: Plastic Items supplied: Mounting hardware included 	BEF-S-R1-10	7901753
	<ul style="list-style-type: none"> Description: Mounting clip for round body cylinder, clamping range 12.9 mm to 41 mm, for piston rod diameter of 12 mm Material: Plastic Details: Plastic Items supplied: Mounting hardware included 	BEF-S-R1-12	7901754
	<ul style="list-style-type: none"> Description: Mounting clip for round body cylinder, clamping range 16.9 mm to 18 mm, for piston rod diameter of 16 mm Material: Plastic Details: Plastic Items supplied: Mounting hardware included 	BEF-S-R1-16	7901755
	<ul style="list-style-type: none"> Description: Mounting clip for round body cylinder, clamping range 21 mm to 22 mm, for piston rod diameter of 20 mm Material: Plastic Details: Plastic Items supplied: Mounting hardware included 	BEF-S-R1-20	7901756
	<ul style="list-style-type: none"> Description: Mounting clip for round body cylinder, clamping range 26.1 mm to 27.2 mm, for piston rod diameter of 25 mm Material: Plastic Details: Plastic Items supplied: Mounting hardware included 	BEF-S-R1-25	7901757
	<ul style="list-style-type: none"> Description: Mounting clip for round body cylinder, clamping range 33 mm to 35 mm, for piston rod diameter of 32 mm Material: Plastic Details: Plastic Items supplied: Mounting hardware included 	BEF-S-R1-32	7901758
	<ul style="list-style-type: none"> Description: Mounting clip for round body cylinder, clamping range 41.4 mm to 42.5 mm, for piston rod diameter of 40 mm Material: Plastic Details: Plastic Items supplied: Mounting hardware included 	BEF-S-R1-40	7901759

	Brief description	Type	part no.
connectors and cables			
	<ul style="list-style-type: none"> Description: Sensor/actuator cable, unshielded Connection type head A: Female connector, M8, 3-pin, straight, A-coded Connection type head B: Flying leads Signal type: Sensor/actuator cable Cable: 2 m, 3-wire, PUR, halogen-free Application: Drag chain operation, Zones with oils and lubricants, Robot, Drag chain operation 	YF8U13-020UA1XLEAX	2094782
	<ul style="list-style-type: none"> Description: Sensor/actuator cable, unshielded Connection type head A: Female connector, M8, 3-pin, straight, A-coded Connection type head B: Flying leads Signal type: Sensor/actuator cable Cable: 2 m, 3-wire, PVC Application: Uncontaminated zones, Zones with chemicals 	YF8U13-020VA1XLEAX	2095860
	<ul style="list-style-type: none"> Description: Sensor/actuator cable, unshielded Connection type head A: Female connector, M8, 3-pin, straight, A-coded Connection type head B: Flying leads Signal type: Sensor/actuator cable Cable: 3 m, 3-wire, PUR, halogen-free Application: Drag chain operation, Zones with oils and lubricants, Robot, Drag chain operation 	YF8U13-030UA1XLEAX	2094787
	<ul style="list-style-type: none"> Description: Sensor/actuator cable, unshielded Connection type head A: Female connector, M8, 3-pin, straight, A-coded Connection type head B: Flying leads Signal type: Sensor/actuator cable Cable: 5 m, 3-wire, PUR, halogen-free Application: Drag chain operation, Zones with oils and lubricants, Robot, Drag chain operation 	YF8U13-050UA1XLEAX	2094788
	<ul style="list-style-type: none"> Description: Sensor/actuator cable, unshielded Connection type head A: Female connector, M8, 3-pin, straight, A-coded Connection type head B: Flying leads Signal type: Sensor/actuator cable Cable: 5 m, 3-wire, PVC Application: Uncontaminated zones, Zones with chemicals 	YF8U13-050VA1XLEAX	2095884
	<ul style="list-style-type: none"> Description: Sensor/actuator cable, unshielded Connection type head A: Female connector, M8, 3-pin, angled, A-coded Connection type head B: Flying leads Signal type: Sensor/actuator cable Cable: 2 m, 3-wire, PUR, halogen-free Application: Drag chain operation, Zones with oils and lubricants, Robot, Drag chain operation 	YG8U13-020UA1XLEAX	2094794
	<ul style="list-style-type: none"> Description: Sensor/actuator cable, unshielded Connection type head A: Female connector, M8, 3-pin, angled, A-coded Connection type head B: Flying leads Signal type: Sensor/actuator cable Cable: 2 m, 3-wire, PVC Application: Uncontaminated zones, Zones with chemicals 	YG8U13-020VA1XLEAX	2096165
	<ul style="list-style-type: none"> Description: Sensor/actuator cable, unshielded Connection type head A: Female connector, M8, 3-pin, angled, A-coded Connection type head B: Flying leads Signal type: Sensor/actuator cable Cable: 5 m, 3-wire, PVC 	YG8U13-050VA1XLEAX	2096166

	Brief description	Type	part no.
	<ul style="list-style-type: none"> Application: Uncontaminated zones, Zones with chemicals Description: Unshielded Connection type head A: Male connector, M8, 3-pin, straight, A-coded Connection systems: Screw-type terminals Permitted cross-section: 0.14 mm² ... 0.5 mm² 	STE-0803-G	6037322
	<ul style="list-style-type: none"> Description: Unshielded Connection type head A: Female connector, M8, 3-pin, straight, A-coded Connection systems: Screw-type terminals Permitted cross-section: 0.14 mm² ... 0.5 mm² 	DOS-0803-G	7902077
	<ul style="list-style-type: none"> Description: Unshielded Connection type head A: Female connector, M8, 3-pin, angled, A-coded Connection systems: Solder connection Permitted cross-section: ≤ 0.25 mm² 	DOS-0803-W	7902078
	<ul style="list-style-type: none"> Description: Sensor/actuator cable, unshielded Connection type head A: Female connector, M8, 3-pin, angled, A-coded Connection type head B: Flying leads Signal type: Sensor/actuator cable Cable: 0.6 m, 3-wire, PUR, halogen-free Application: Drag chain operation, Zones with oils and lubricants, Robot, Drag chain operation 	YG8U13-C60UA1XLEAX	2145889
	<ul style="list-style-type: none"> Description: Sensor/actuator cable, unshielded Connection type head A: Female connector, M8, 3-pin, angled, A-coded Connection type head B: Flying leads Signal type: Sensor/actuator cable Cable: 3 m, 3-wire, PUR, halogen-free Application: Drag chain operation, Zones with oils and lubricants, Robot, Drag chain operation 	YG8U13-030UA1XLEAX	2145891
	<ul style="list-style-type: none"> Description: Sensor/actuator cable, unshielded Connection type head A: Female connector, M8, 3-pin, straight, A-coded Connection type head B: Flying leads Signal type: Sensor/actuator cable Cable: 0.6 m, 3-wire, PVC Application: Uncontaminated zones, Zones with chemicals 	YF8U13-C60VA1XLEAX	2146368

SICK AT A GLANCE

SICK is one of the leading manufacturers of intelligent sensors and sensor solutions for industrial applications. A unique range of products and services creates the perfect basis for controlling processes securely and efficiently, protecting individuals from accidents and preventing damage to the environment.

We have extensive experience in a wide range of industries and understand their processes and requirements. With intelligent sensors, we can deliver exactly what our customers need. In application centers in Europe, Asia and North America, system solutions are tested and optimized in accordance with customer specifications. All this makes us a reliable supplier and development partner.

Comprehensive services complete our offering: SICK LifeTime Services provide support throughout the machine life cycle and ensure safety and productivity.

For us, that is “Sensor Intelligence.”

WORLDWIDE PRESENCE:

Contacts and other locations –www.sick.com