



# LBC621-10RB

Label Checker

QUALITY CONTROL SYSTEMS

**SICK**  
Sensor Intelligence.



### Ordering information

Type	part no.
LBC621-10RB	1115468

Other models and accessories → [www.sick.com/Label\\_Checker](http://www.sick.com/Label_Checker)

Illustration may differ



### Detailed technical data

#### Features

<b>Technology</b>	2D snapshot	
<b>Light source</b>	Internal lighting	LED, visible red light, 617 nm, ± 15 nm
	Internal lighting	LED, visible blue light, 470 nm, ± 15 nm
	Feedback spot	LED, visible green light, 525 nm, ± 15 nm
	Adjustment aid	Laser, visible red light, 630 nm ... 680 nm
<b>Laser class</b>	1, complies with 21 CFR 1040.10 except for the conformance according to "Laser Notice No. 50" from June 24, 2007 (IEC 60825-1:2014, EN 60825-1:2014)	
<b>Focus</b>	Adjustable focus (electric)	
<b>Sensor</b>	CMOS matrix sensor, grayscale values, 1.3 Mpixel, 1,280 px, 1,024 px	
<b>Spectral range</b>	Approx. 400 nm ... 900 nm	
<b>Focal length</b>	9.6 mm	

#### Mechanics/electronics

<b>Dimensions, system (L x W x H)</b>	71 mm x 43 mm x 35.6 mm
<b>Enclosure rating</b>	IP65
<b>Protection class</b>	III
<b>Power consumption</b>	Typ. 4 W
<b>Housing material</b>	Aluminum die cast
<b>Output current</b>	≤ 100 mA
<b>Connections</b>	1 x M12, 17-pin male connector (serial, I/Os, voltage supply) 1 x M12, 4-pin female connector (Ethernet)
<b>Supply voltage</b>	12 V DC ... 24 V DC, ± 20 %
<b>Window material</b>	PMMA
<b>Weight</b>	170 g

#### Performance

<b>Bar code types</b>	2/5 Industrial Interleaved 2 of 5 Codabar Code 39 Code 93
-----------------------	---

	Code 128 EAN-8 EAN13 Pharmacode GS1-128 / EAN 128 Code 32 UPC-A UPC-E GS1, various types MSI
<b>2D code types</b>	Data Matrix ECC200 QR code Micro QR code PDF417 Aztec
<b>OCR/OCV fonts</b>	Universal, industrial, document, DotPrint, pharma, OCR-A, OCR-B, Arabic numbers
<b>Optical format</b>	1/1.8"
<b>Maximum encoder frequency</b>	300 Hz

## Interfaces

<b>Ethernet</b>	✓ , TCP/IP
Function	EtherNet/IP UDP PROFINET
Data transmission rate	10/100 MBit/s
Protocol	FTP HTTP
<b>Operator interface</b>	Web server
<b>Optical indicators</b>	5 x status display, 5 x LED bar graph, 1 green/red feedback spot
<b>Acoustic indicators</b>	Beeper

## Ambient data

<b>Ambient temperature, operation</b>	-20 °C ... +70 °C, permissible relative humidity: 0% ... 90% (non-condensing)
<b>Ambient temperature, storage</b>	-20 °C ... +70 °C <sup>1)</sup>
<b>Shock load</b>	EN 60068-2-27:2009-05
<b>Vibration load</b>	EN 60068-2-6:2008-02

<sup>1)</sup> Permissible relative humidity: 0% ... 90% (non-condensing).

## General notes

<b>Items supplied</b>	InspectorP V2D621P-2MSFBB5 LabelChecker software
-----------------------	---

## Certificates

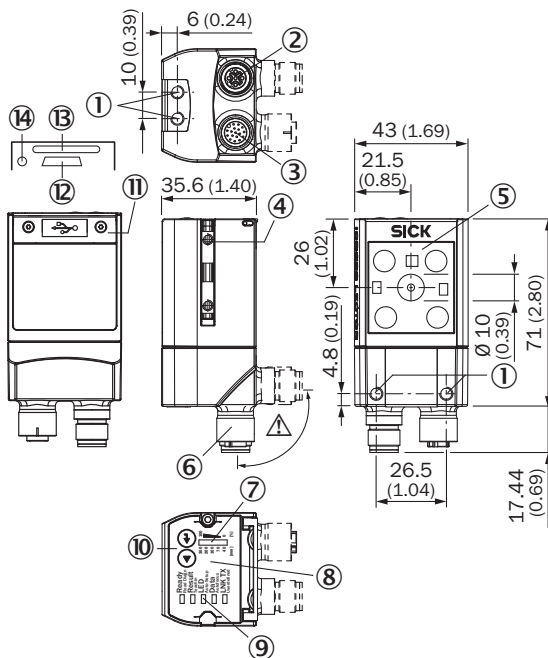
<b>EU declaration of conformity</b>	✓
<b>UK declaration of conformity</b>	✓

## Classifications

<b>ECLASS 5.0</b>	27310205
<b>ECLASS 5.1.4</b>	27310205
<b>ECLASS 6.0</b>	27310205
<b>ECLASS 6.2</b>	27310205

<b>ECLASS 7.0</b>	27310205
<b>ECLASS 8.0</b>	27310205
<b>ECLASS 8.1</b>	27310205
<b>ECLASS 9.0</b>	27310205
<b>ECLASS 10.0</b>	27289090
<b>ECLASS 11.0</b>	27289090
<b>ECLASS 12.0</b>	27289090
<b>ETIM 5.0</b>	EC001820
<b>ETIM 6.0</b>	EC001820
<b>ETIM 7.0</b>	EC001820
<b>ETIM 8.0</b>	EC001820
<b>UNSPSC 16.0901</b>	43211731

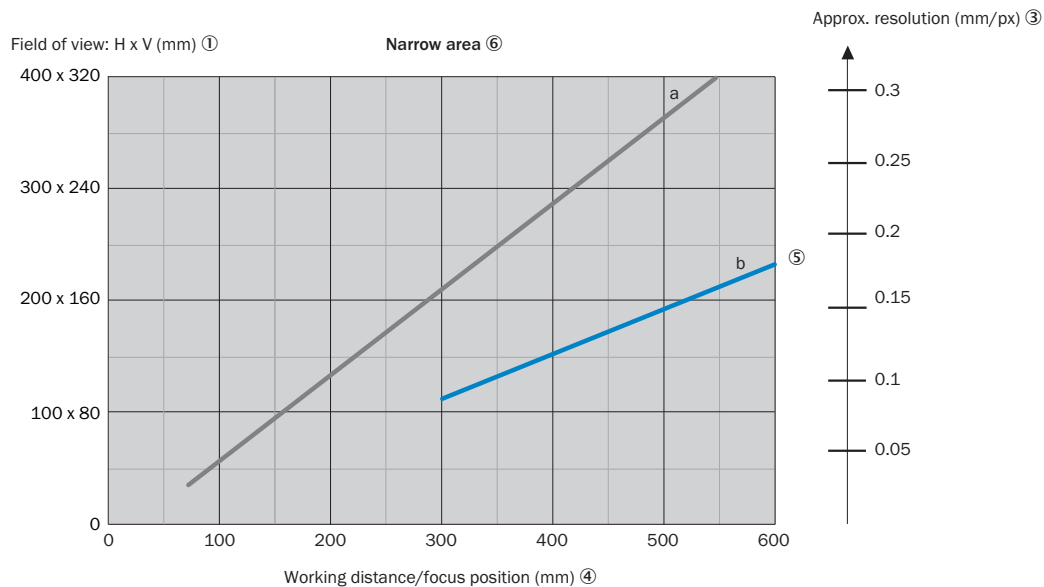
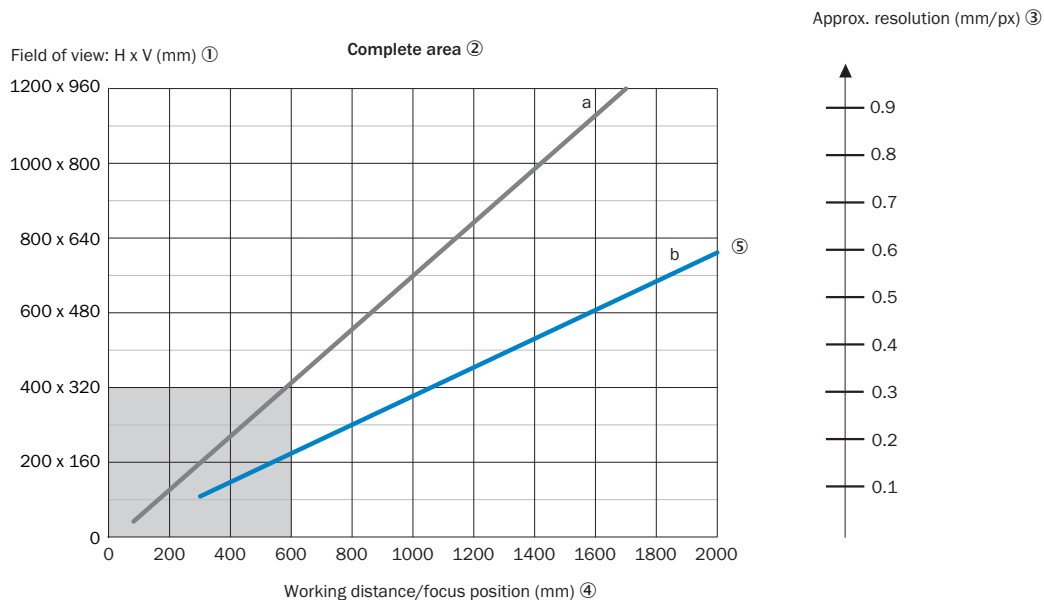
### Dimensional drawing



Dimensions in mm (inch)

- ① M5 blind tapped holes, 5 mm deep (4 x), for mounting the sensor
- ② “Ethernet” connection, 4-pin M12 female connector, D-coded
- ③ “Power/Serial Data/CAN/I/O” connection, 17-pin M12 male connector, A-coded
- ④ sliding nut M5, 5.5 mm deep (2 x), for mounting (as alternative)
- ⑤ reading window with internal illumination LEDs (4 x)
- ⑥ swivel connector unit
- ⑦ Bar graph
- ⑧ beeper (under housing cover)
- ⑨ LEDs for status display (2 levels), 5 x
- ⑩ Function button (2 x)
- ⑪ Cover (flap)
- ⑫ “USB” connection (female connector, 5-pin, type Micro-B) interface for temporary use (service)
- ⑬ Slot for microSD memory card
- ⑭ LED for microSD memory card

### Characteristic curve






— a: f = 9.6 mm  
 — b: f = 17.1 mm

Take into account the following aspects when designing the application: the field of view geometry of the device, and the position of the field of view in the space in front of the device. Possible angles at which the objects can arise in relation to the device. For the planned working distance: resultant field of view length and width as well as the approximate resolution.

- ① Field of view: Horizontal x vertical in mm
- ② complete area
- ③ approximate resolution in mm/px
- ④ Working distance/Focus position in mm
- ⑤ Focal length of lens, here example for f = 17.1 mm
- ⑥ Narrow range

### Recommended accessories

Other models and accessories → [www.sick.com/Label\\_Checker](http://www.sick.com/Label_Checker)

	Brief description	Type	part no.
Mounting systems			
	<ul style="list-style-type: none"> <li><b>Description:</b> Bracket with adapter board</li> </ul>	Mounting bracket	2042902
connectors and cables			
	<ul style="list-style-type: none"> <li><b>Connection type head A:</b> Female connector, M12, 17-pin, straight, A-coded</li> <li><b>Connection type head B:</b> Male connector, M12, 17-pin, straight, A-coded</li> <li><b>Signal type:</b> Power, serial, CAN, digital I/Os</li> <li><b>Cable:</b> 3 m, 17-wire</li> <li><b>Description:</b> Power, suitable for 2 A, shielded, Serial, CAN, Digital I/Os</li> <li><b>Application:</b> Drag chain operation</li> </ul>	YM2A8D-030XXXF2A8D	6051194
	<ul style="list-style-type: none"> <li><b>Connection type head A:</b> Male connector, M12, 4-pin, straight, D-coded</li> <li><b>Connection type head B:</b> Male connector, RJ45, 4-pin, straight</li> <li><b>Signal type:</b> Ethernet, PROFINET</li> <li><b>Cable:</b> 2 m, 4-wire, PUR, halogen-free</li> <li><b>Description:</b> Ethernet, shielded, PROFINET</li> <li><b>Application:</b> Drag chain operation, Zones with oils and lubricants</li> </ul>	YM2D24-020P-N1MRJA4	2106182

## SICK AT A GLANCE

SICK is one of the leading manufacturers of intelligent sensors and sensor solutions for industrial applications. A unique range of products and services creates the perfect basis for controlling processes securely and efficiently, protecting individuals from accidents and preventing damage to the environment.

We have extensive experience in a wide range of industries and understand their processes and requirements. With intelligent sensors, we can deliver exactly what our customers need. In application centers in Europe, Asia and North America, system solutions are tested and optimized in accordance with customer specifications. All this makes us a reliable supplier and development partner.

Comprehensive services complete our offering: SICK LifeTime Services provide support throughout the machine life cycle and ensure safety and productivity.

For us, that is “Sensor Intelligence.”

## WORLDWIDE PRESENCE:

Contacts and other locations –[www.sick.com](http://www.sick.com)