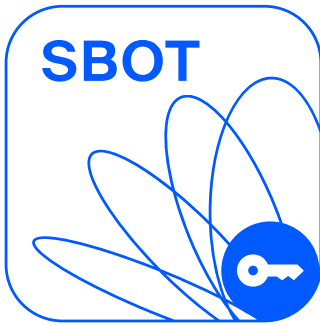


SOW/BOT-URN34ESUA0

Safe Robotics Area Protection

SAFETY SYSTEMS FOR ROBOTS

SICK
Sensor Intelligence.



Ordering information

Type	part no.
SOW/BOT-URN34ESUA0	1115031

Other models and accessories → www.sick.com/Safe_Robotics_Area_Protection

Detailed technical data

Features

Variant	sBot - URcap
Product type	Software
Robot controller	Universal Robots: e-Series + UR Series robots
Compatible systems	1111884 1111885
Stopping process of the robot	Depends on the selected hardware
Robot restart	Automatic
Safety task	Hazardous area protection
Performance level	PL d (ISO 13849-1)
Items supplied	Configuration tool software: nanoScan3 Tool - URcap and operating instructions for the sBot Stop - URcap and sBot Speed - URcap safety system, Quick Start Guide, connection diagram and SISTEMA file. The software only has to be purchased separately if the associated safety system hardware is already available.

Functions

Emergency stop	
Shut down in the event of an emergency situation	✓
Operating mode	
Operating mode selection (implemented in robot control)	✓

Classifications

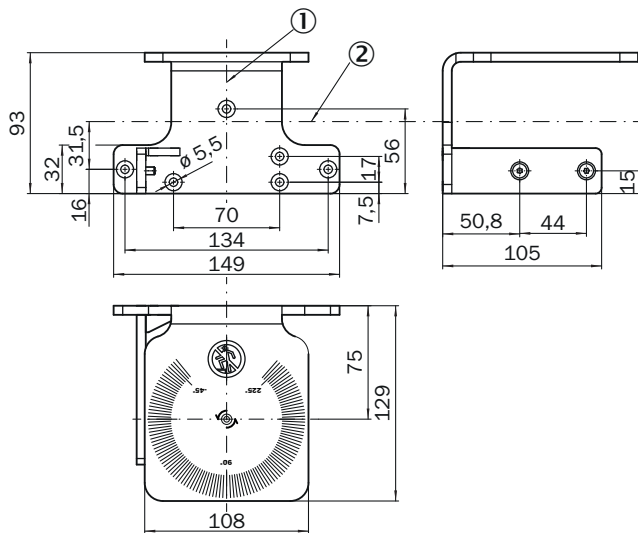
ECLASS 5.0	27279090
ECLASS 5.1.4	27279090
ECLASS 6.0	27279090
ECLASS 6.2	27279090
ECLASS 7.0	27279090
ECLASS 8.0	27279090
ECLASS 8.1	27279090
ECLASS 9.0	27279090
ECLASS 10.0	27279090

ECLASS 11.0	27279090
ECLASS 12.0	27279090
ETIM 5.0	EC001449
ETIM 6.0	EC001449
ETIM 7.0	EC001449
ETIM 8.0	EC001449
UNSPSC 16.0901	32151705

Certificates

China RoHS	✓
Information according to Art. 3 of Data Act (Regulation EU 2023/2854)	✓

Dimensional drawing



Dimensions in mm (inch)

① mirror axis of rotation

② scan plane

SICK AT A GLANCE

SICK is one of the leading manufacturers of intelligent sensors and sensor solutions for industrial applications. A unique range of products and services creates the perfect basis for controlling processes securely and efficiently, protecting individuals from accidents and preventing damage to the environment.

We have extensive experience in a wide range of industries and understand their processes and requirements. With intelligent sensors, we can deliver exactly what our customers need. In application centers in Europe, Asia and North America, system solutions are tested and optimized in accordance with customer specifications. All this makes us a reliable supplier and development partner.

Comprehensive services complete our offering: SICK LifeTime Services provide support throughout the machine life cycle and ensure safety and productivity.

For us, that is “Sensor Intelligence.”

WORLDWIDE PRESENCE:

Contacts and other locations –www.sick.com