

# PGT-13-S

PROGRAMMING DEVICES

**SICK**  
Sensor Intelligence.



### Ordering information

Type	part no.
PGT-13-S	1113462

Other models and accessories → [www.sick.com/PGT-13-S](http://www.sick.com/PGT-13-S)



### Detailed technical data

#### Features

<b>Product segment</b>	Programming devices
<b>Product</b>	PGT-13-S
<b>Description</b>	Programming tool for motor feedback systems with the HIPERFACE DSL® communication interface
<b>Suitable for</b>	EDS/EDM35, EES/EEM37, EKS/EKM36, EFS/EFM50, ETL70, sHub®
<b>Included in delivery</b>	1x programming tool PGT-13-S, 1x power supply unit 100-240-V AC~/~5 V DC, primary adapter (Europe), Ethernet cable 3-m, connecting cable for motor feedback system
<b>Dimensions (W x H x L)</b>	97.2 mm x 32.8 mm x 139.4 mm

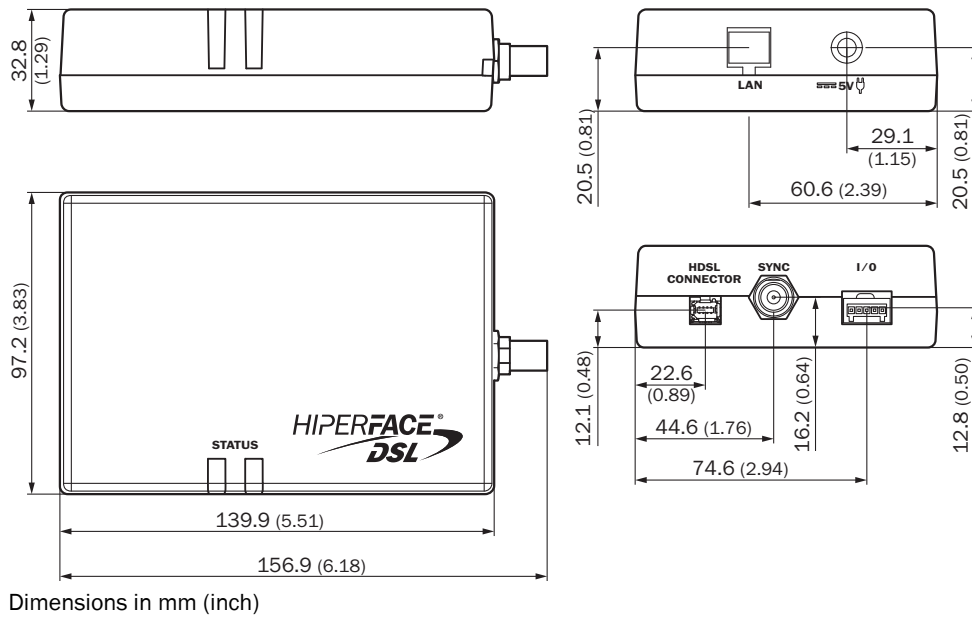
#### Classifications

<b>UNSPSC 16.0901</b>	32151707
-----------------------	----------

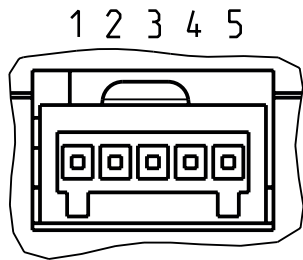
#### Certificates

<b>EU declaration of conformity</b>	✓
<b>UK declaration of conformity</b>	✓
<b>ACMA declaration of conformity</b>	✓
<b>Moroccan declaration of conformity</b>	✓
<b>China RoHS</b>	✓
<b>EC-Type-Examination approval</b>	✓

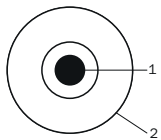
### Dimensional drawing



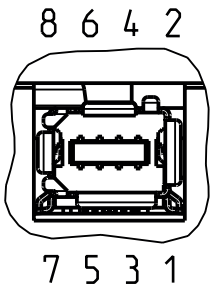
### PIN assignment PORT I/O



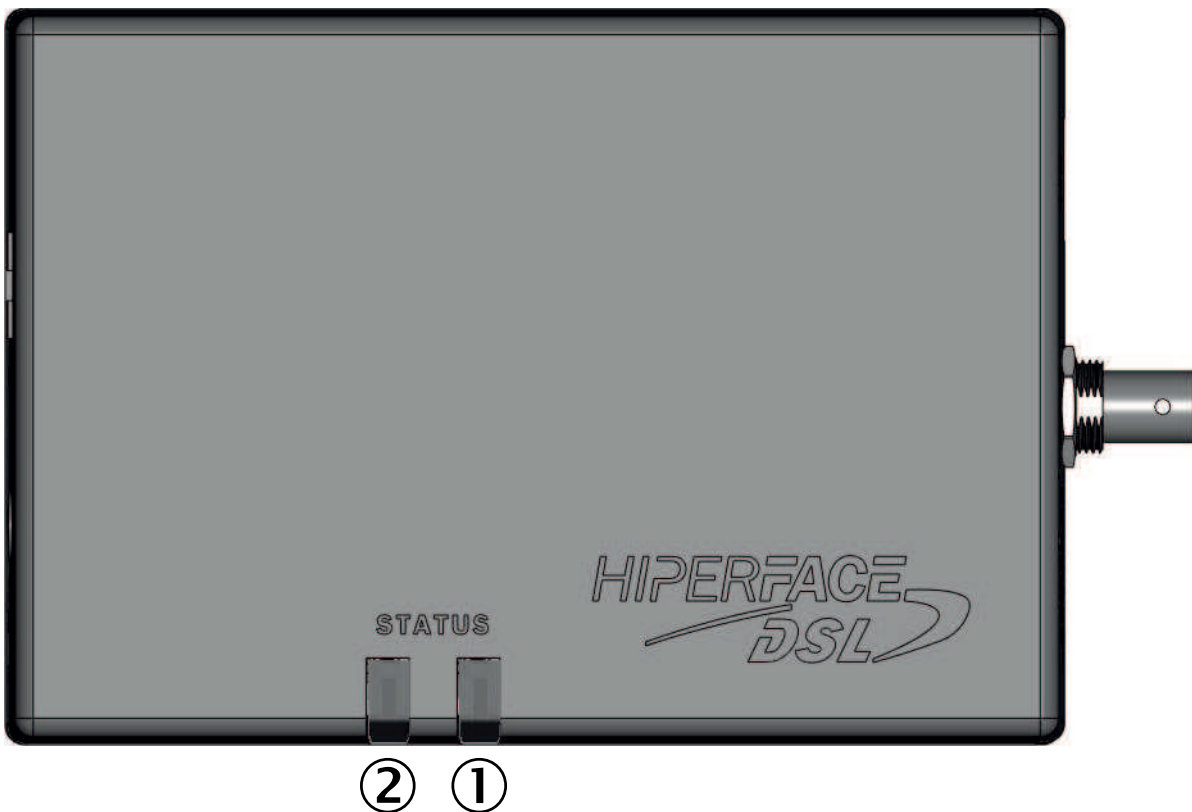
### PIN assignment SYNC input



PIN assignment HIPERFACE DSL® IN/OUT



Instruction for installation Display LED



No meaning in Emulator mode, continuously lights up red.

Recommended accessories

Other models and accessories → [www.sick.com/PGT-13-S](http://www.sick.com/PGT-13-S)

	Brief description	Type	part no.
Mounting systems			
	<ul style="list-style-type: none"> <li><b>Description:</b> Mounting rail clip for PGT-13-S, clamp and alignment brackets for mounting rail</li> </ul>	HBEF-HPS-PGT-13-S	2123739

	Brief description	Type	part no.
connectors and cables			
	<ul style="list-style-type: none"> <li>• <b>Connection type head A:</b> Male connector, JST, 4-pin, straight</li> <li>• <b>Connection type head B:</b> Male connector, Mini Industrial I/O, 8-pin, straight</li> <li>• <b>Signal type:</b> HIPERFACE DSL<sup>®</sup></li> <li>• <b>Cable:</b> 1 m</li> <li>• <b>Description:</b> HIPERFACE DSL<sup>®</sup>, shielded</li> </ul>	YFJSA4-010EG1M-MIA8	2117790
	<ul style="list-style-type: none"> <li>• <b>Connection type head A:</b> Male connector, M12, 4-pin, straight</li> <li>• <b>Connection type head B:</b> Male connector, Mini Industrial I/O, 8-pin, straight</li> <li>• <b>Signal type:</b> HIPERFACE DSL<sup>®</sup></li> <li>• <b>Cable:</b> 1 m</li> <li>• <b>Description:</b> HIPERFACE DSL<sup>®</sup>, shielded</li> <li>• <b>Application:</b> Uncontaminated zones, Zones with oils and lubricants, Robot, Drag chain operation</li> </ul>	YF2A24-020UB4M-MIA8	2124673

## SICK AT A GLANCE

SICK is one of the leading manufacturers of intelligent sensors and sensor solutions for industrial applications. A unique range of products and services creates the perfect basis for controlling processes securely and efficiently, protecting individuals from accidents and preventing damage to the environment.

We have extensive experience in a wide range of industries and understand their processes and requirements. With intelligent sensors, we can deliver exactly what our customers need. In application centers in Europe, Asia and North America, system solutions are tested and optimized in accordance with customer specifications. All this makes us a reliable supplier and development partner.

Comprehensive services complete our offering: SICK LifeTime Services provide support throughout the machine life cycle and ensure safety and productivity.

For us, that is “Sensor Intelligence.”

## WORLDWIDE PRESENCE:

Contacts and other locations –[www.sick.com](http://www.sick.com)