



V2D621G-2MSXBB5

GLS6

IMAGE-BASED CODE READERS

SICK
Sensor Intelligence.



Ordering information

Type	part no.
V2D621G-2MSXBB5	1101204

Other models and accessories → www.sick.com/GLS6



Detailed technical data

Features

Optical focus	Teach auto focus ¹⁾
Illumination	Integrated
Illumination color	Red, LED, Visible, 617 nm, ± 15 nm Blue, LED, Visible, 470 nm, ± 15 nm
LED class	1 (IEC 62471:2006-07, EN 62471:2008-09)
Feedback spot	LED, Visible, green, 525 nm, ± 15 nm
Alignment aid	Laser, Visible, 630 nm ... 680 nm
Laser class	1, complies with 21 CFR 1040.10 except for the conformance according to "Laser Notice No. 50" from June 24, 2007 (IEC 60825-1:2014, EN 60825-1:2014+A11:2021)
Reading distance	70 mm ... 500 mm
Overrun speed	≤ 5 m/s
Accuracy (position)	± 0.1 mm ²⁾
Repeatability (position)	± 0.05 mm ²⁾
Working range	70 mm ... 500 mm

¹⁾ SOPAS ET configuration software.

²⁾ Reading distance 90 mm.

Mechanics/electronics

Connection type	1 x M12, 17-pin male connector 1 x M12, 4-pin Ethernet female connector Circular plug-in connector
Supply voltage	12 V AC ... 24 V DC, ± 20 %
Power consumption	Typ. 4 W

¹⁾ Swivel connector is 17.8 mm longer.

Output current	≤ 100 mA
Housing material	Aluminum die cast
Housing color	Light blue (RAL 5012)
Enclosure rating	IP65 (EN 60529, EN 60529/A2)
Protection class	III
Electrical safety	EN 62368
Weight	170 g
Dimensions (L x W x H)	71 mm x 43 mm x 35.6 mm ¹⁾
MTTFd	270 years

¹⁾ Swivel connector is 17.8 mm longer.

Safety-related parameters

MTTF_D	270 years
-------------------------	-----------

Performance

Readable code structures	2D codes
2D code types	Data Matrix ECC200, QR code
Code qualification	On the basis of ISO/IEC 16022, ISO/IEC 15415, ISO/IEC 15416, ISO/IEC 18004

Interfaces

Ethernet	✓ , TCP/IP
	Function: Data interface (read result output), Service interface, OPC DA Server, FTP (image transmission)
Data transmission rate	10/100 MBit/s
PROFINET	✓
	Function: PROFINET Single Port
Data transmission rate	10/100 MBit/s
EtherNet/IP™	✓
	Data transmission rate: 10/100 MBit/s
Serial	✓ , RS-232, RS-422
	Function: Data interface (read result output), Service interface
Data transmission rate	0.3 kBaud ... 115.2 kBaud, AUX: 57.6 kBaud (RS-232)
CAN	✓
	Function: SICK CAN sensor network CSN (CAN controller/CAN device, multiplexer/server)
Data transmission rate	20 kbit/s ... 1 Mbit/s
CANopen	✓
	Data transmission rate: 20 kbit/s ... 1 Mbit/s
USB	✓
	Remark: USB 2.0 (for parameterization only)
Function	Service interface
Optical indicators	16 LEDs (5 x status display, 10 x LED bar graph, 1 green feedback spot)
Acoustic indicators	Beeper/buzzer (can be switched on, can be assigned a function to signal a result)
Configuration software	SOPAS ET (version 2018.04 or higher)
Memory card	microSD memory card (flash card), optional
Data storage and retrieval	Image and data storage via microSD memory card and external FTP

EncoderFrequency	Max. 300 Hz
External illumination control	Via digital output (max. 24 V trigger)

Ambient data

Electromagnetic compatibility (EMC)	EN 61000-6-2:2005-08 / EN 61000-6-4 (2007-01) + A1 (2011)
Vibration resistance	EN 60068-2-6:2008-02
Shock resistance	EN 60068-2-27:2009-05
Ambient operating temperature	0 °C ... +50 °C ¹⁾
Storage temperature	-20 °C ... +70 °C
Permissible relative humidity	90 %, Non-condensing
Ambient light immunity	2,000 lx, on code

¹⁾ For mounting on a metal mounting bracket.

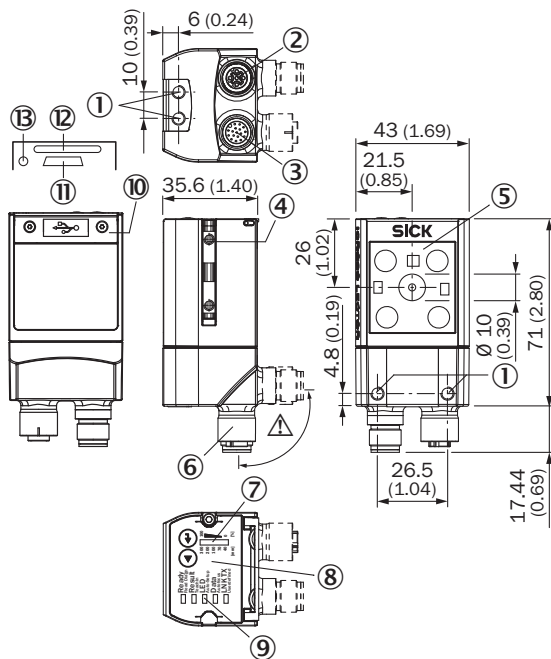
Certificates

EU declaration of conformity	✓
UK declaration of conformity	✓
ACMA declaration of conformity	✓
China RoHS	✓
cULus certificate	✓
KC Mark certificate	✓
BIS registration	✓
Information according to Art. 3 of Data Act (Regulation EU 2023/2854)	✓
4Dpro	✓

Classifications

ECLASS 5.0	27280103
ECLASS 5.1.4	27280103
ECLASS 6.0	27280103
ECLASS 6.2	27280103
ECLASS 7.0	27280103
ECLASS 8.0	27280103
ECLASS 8.1	27280103
ECLASS 9.0	27280103
ECLASS 10.0	27280103
ECLASS 11.0	27280103
ECLASS 12.0	27280103
ETIM 5.0	EC002550
ETIM 6.0	EC002550
ETIM 7.0	EC002999
ETIM 8.0	EC002999
UNSPSC 16.0901	43211701

Dimensional drawing




Dimensions in mm (inch)




structure and device dimensions, unit: mm (inch), decimal separator: period

- ① M5 blind tapped holes, 5 mm deep (4 x), for mounting the sensor
- ② “Ethernet” connection, 4-pin M12 female connector, D-coded
- ③ “Power/Serial Data/CAN/I/O” connection, 17-pin M12 male connector, A-coded
- ④ sliding nut M5, 5.5 mm deep (2 x), for mounting (as alternative)
- ⑤ reading window with internal illumination LEDs (4 x)
- ⑥ swivel connector unit
- ⑦ Bar graph
- ⑧ beeper (under housing cover)
- ⑨ LEDs for status display (2 levels), 5 x
- ⑩ Cover (flap)
- ⑪ “USB” connection (female connector, 5-pin, type Micro-B) interface for temporary use (service)
- ⑫ Slot for microSD memory card
- ⑬ LED for microSD memory card

Recommended accessories

Other models and accessories → www.sick.com/GLS6

	Brief description	Type	part no.
Mounting systems			
	<ul style="list-style-type: none"> • Description: Bracket with adapter board 	Mounting bracket	2042902

	Brief description	Type	part no.
connectors and cables			
	<ul style="list-style-type: none"> • Connection type head A: Female connector, M12, 17-pin, straight, A-coded • Connection type head B: Flying leads • Signal type: Power, serial, CAN, digital I/Os • Cable: 2 m, 17-wire, stripped, PE-X • Description: Power, suitable for 2 A, shielded, Serial, Changed color coding of the flying leads, CAN, Digital I/Os • Connection systems: Flying leads • Note: Max. permissible current strength at ambient temperature 50 °C: Contact 1 (blue) and contact 2 (brown): 3 A while the remaining contacts are operated with max. 100 mA; max. permissible current strength at ambient temperature 40 °C: 2 A for two and 1.5 A for 15 contacts. • Application: Drag chain operation 	YF2ASD-020XXXXLECX	2081094
	<ul style="list-style-type: none"> • Connection type head A: Male connector, M12, 4-pin, straight, D-coded • Connection type head B: Male connector, RJ45, 4-pin, straight • Signal type: Ethernet, PROFINET • Cable: 2 m, 4-wire, PUR, halogen-free • Description: Ethernet, shielded, PROFINET • Application: Drag chain operation, Zones with oils and lubricants 	YM2D24-020P-N1MRJA4	2106182
Codes			
	<ul style="list-style-type: none"> • Description: Multi code label with 16 data matrix codes for localizing AGV systems, customized alphanumeric code content, self-adhesive. Recommended for GLS611&621. 	Multi-code label	4105695

SICK AT A GLANCE

SICK is one of the leading manufacturers of intelligent sensors and sensor solutions for industrial applications. A unique range of products and services creates the perfect basis for controlling processes securely and efficiently, protecting individuals from accidents and preventing damage to the environment.

We have extensive experience in a wide range of industries and understand their processes and requirements. With intelligent sensors, we can deliver exactly what our customers need. In application centers in Europe, Asia and North America, system solutions are tested and optimized in accordance with customer specifications. All this makes us a reliable supplier and development partner.

Comprehensive services complete our offering: SICK LifeTime Services provide support throughout the machine life cycle and ensure safety and productivity.

For us, that is “Sensor Intelligence.”

WORLDWIDE PRESENCE:

Contacts and other locations –www.sick.com