



FTMG-ESD25AXX

FTMg

FLOW SENSORS

SICK
Sensor Intelligence.



Illustration may differ



Ordering information

Type	part no.
FTMG-ESD25AXX	1100216

Other models and accessories → www.sick.com/FTMg

Detailed technical data

Features

Measurement principle	Calorimetric (flow, temperature), piezoresistive (pressure)	
Medium	Compressed air (air quality ISO 8573-1:2010 [3:4:4]), Argon, nitrogen, carbon dioxide	
Measured values	Mass, volume, Mass flow rate, Volumetric flow rate, Energy, Flow velocity, pressure, Temperature	
Nominal width measuring tube	DN 25	
Measuring range	Standard	14.7 l/min ... 2,945.2 l/min ¹⁾
		0.5 m/s ... 100 m/s ¹⁾
	Enhanced	2,945.2 l/min ... 4,417.9 l/min ¹⁾
		100 m/s ... 150 m/s ¹⁾
Process temperature	-20 °C ... +60 °C	
Process pressure	0 bar ... 16 bar ²⁾	
Communication interface	MQTT	
Temperature measurement	✓	
Pressure measurement	✓	
Display	✓ 128 x 128 pixels, adjustable rotary OLED display (90° steps) and 4 pushbuttons	

¹⁾ Reference conditions according to DIN 1343 (atmospheric pressure 1,013 mbar, compressed air temperature 0 °C).

²⁾ Evaluation according to DIN EN 61298-2 best fit straight line.

Performance

Measurement accuracy	Standard	$\pm 3\%$ of the measured value + 0.3% of the measuring range limit value (extended measuring range) ¹⁾
	Enhanced	$\pm 8\%$ of the measured value + 1% of the measuring range limit value (extended measuring range) ¹⁾
Repeatability		$\pm 1.5\%$ From measured value ¹⁾
Response time		< 0.3 s
Temperature measurement		
	Measurement accuracy (temperature)	$\pm 2\text{ °C}^{2)}$
	Repeatability (temperature)	$\pm 0.5\text{ °C}^{2)}$
Pressure measurement		
	Measurement accuracy (pressure)	$\pm 1.5\%$ of measuring range end value
	Non-linearity (pressure)	$\pm 0.5\%$ from measuring range
	Repeatability (pressure)	$\pm 0.2\%$ from measuring range

¹⁾ Reference conditions during measurement: media conditions: air according to ISO 8573-1:2010 [3:4:4] or better; static pressure = 7 ± 0.2 bar (abs.); medium temperature $22 \pm 3\text{ °C}$; straight inlet zone > 250xDN; average filter can be parameterized by customer: 10 seconds / ambient conditions: ambient temperature $15\text{ °C} \dots 25\text{ °C}$; ambient pressure: 1013 mbar / measured value via digital interface.

²⁾ When flow rate $\geq 10\%$ of the measuring range limit value (standard measuring range).

Electronics

Power consumption	< 5 W
Switch-on time	≤ 10 s
Protection class	✓
Connection type	1 x M12 round connector, 8-pin, X-coded
Output signal	OPC UA, MQTT, integrated web server, REST API
Enclosure rating	IP65 (IEC 60529) ¹⁾ IP67 (IEC 60529) ¹⁾
MTTF	> 100 years
Standard communication	IEEE802.3 Clause 25 (100BaseTx); 100 Mbit/sec
Standard supply	Power over Ethernet according to IEEE802.3af
Performance class	Class 0; acc. IEEE802.3af Powered Device < 13 W
Power supply mode	Mode A and Mode B

¹⁾ Not UL-tested.

Mechanics

Process connection	G 1 (according to DIN ISO 228-1)
Wetted parts	Probe: stainless steel 1.4305, PA6; seal: FKM (Viton®); measurement channel: aluminum
Housing material	PC+ABS, PA66+PA6I GF50, PC, TPE, stainless steel 1.4301
Weight	Approx. 685 g

Ambient data

Ambient operating temperature	$-20\text{ °C} \dots +60\text{ °C}^{1)}$
--------------------------------------	--

¹⁾ According to the UL approval: degree of contamination 3 (UL61010-1: 2012-05); air humidity: 80% at temperatures up to 31 °C ; installation altitude: max. 3,000 m above sea level.

Ambient temperature, storage	-40 °C ... +80 °C
-------------------------------------	-------------------

¹⁾ According to the UL approval: degree of contamination 3 (UL61010-1: 2012-05); air humidity: 80% at temperatures up to 31 °C; installation altitude: max. 3,000 m above sea level.

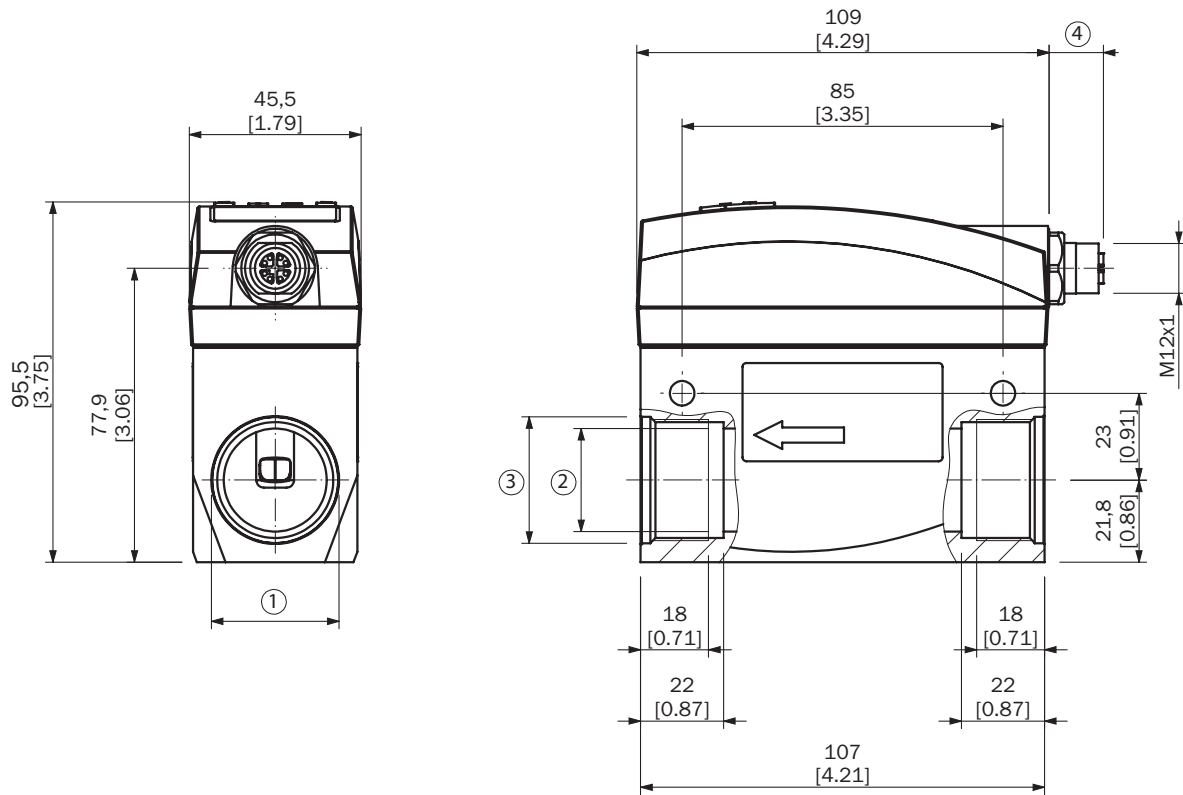
Classifications

ECLASS 5.0	27200403
ECLASS 5.1.4	27200403
ECLASS 6.0	27200403
ECLASS 6.2	27200403
ECLASS 7.0	27200403
ECLASS 8.0	27200403
ECLASS 8.1	27200403
ECLASS 9.0	27200403
ECLASS 10.0	27200403
ECLASS 11.0	27200403
ECLASS 12.0	27200403
ETIM 5.0	EC002580
ETIM 6.0	EC002580
ETIM 7.0	EC002580
ETIM 8.0	EC002580
UNSPSC 16.0901	41112501

Certificates

EU declaration of conformity	✓
UK declaration of conformity	✓
ACMA declaration of conformity	✓
Moroccan declaration of conformity	✓
China RoHS	✓
Information according to Art. 3 of Data Act (Regulation EU 2023/2854)	✓

DN08, DN15, DN20, DN25; unit: mm (inch), decimal separator: period



Dimensions in mm (inch)

Type	DN	1	2	3	4	5	6	7	8
FT-MG-ISD08AXX	08	G 1/4	Ø 8.8 (Ø 0.35)	Ø 13.5 (Ø 0.53)	18.5 (0.73)	17.5 (0.69)	20.3 (0.80)	70.9 (2.79)	88.5 (3.17)
FT-MG-ESD08AXX	08	G 1/4	Ø 8.8 (Ø 0.35)	Ø 13.5 (Ø 0.53)	13.4 (0.53)	17.5 (0.69)	20.3 (0.80)	70.9 (2.79)	88.5 (3.17)
FT-MG-ISD08AXC	08	G 1/4	Ø 8.8 (Ø 0.35)	Ø 13.5 (Ø 0.53)	18.5 (0.73)	17.5 (0.69)	20.3 (0.80)	70.9 (2.79)	88.5 (3.17)
FT-MG-ESD08AXC	08	G 1/4	Ø 8.8 (Ø 0.35)	Ø 13.5 (Ø 0.53)	13.4 (0.53)	17.5 (0.69)	20.3 (0.80)	70.9 (2.79)	88.5 (3.17)
FT-MG-ISD15AXX	15	G 1/2	Ø 16.1 (Ø 0.63)	Ø 20.0 (Ø 0.79)	18.5 (0.73)	21.8 (0.86)	23.0 (0.91)	77.9 (3.06)	95.5 (3.75)
FT-MG-ESD15AXX	15	G 1/2	Ø 16.1 (Ø 0.63)	Ø 20.0 (Ø 0.79)	13.4 (0.53)	21.8 (0.86)	23.0 (0.91)	77.9 (3.06)	95.5 (3.75)
FT-MG-ISD15AXC	15	G 1/2	Ø 16.1 (Ø 0.63)	Ø 20.0 (Ø 0.79)	18.5 (0.73)	21.8 (0.86)	23.0 (0.91)	77.9 (3.06)	95.5 (3.75)
FT-MG-ESD15AXC	15	G 1/2	Ø 16.1 (Ø 0.63)	Ø 20.0 (Ø 0.79)	13.4 (0.53)	21.8 (0.86)	23.0 (0.91)	77.9 (3.06)	95.5 (3.75)
FT-MG-ISD20AXX	20	G 3/4	Ø 21.7 (Ø 0.85)	Ø 27.5 (Ø 1.08)	18.5 (0.73)	21.8 (0.86)	23.0 (0.91)	77.9 (3.06)	95.5 (3.75)
FT-MG-ESD20AXX	20	G 3/4	Ø 21.7 (Ø 0.85)	Ø 27.5 (Ø 1.08)	13.4 (0.53)	21.8 (0.86)	23.0 (0.91)	77.9 (3.06)	95.5 (3.75)
FT-MG-ISD20AXC	20	G 3/4	Ø 21.7 (Ø 0.85)	Ø 27.5 (Ø 1.08)	18.5 (0.73)	21.8 (0.86)	23.0 (0.91)	77.9 (3.06)	95.5 (3.75)
FT-MG-ESD20AXC	20	G 3/4	Ø 21.7 (Ø 0.85)	Ø 27.5 (Ø 1.08)	13.4 (0.53)	21.8 (0.86)	23.0 (0.91)	77.9 (3.06)	95.5 (3.75)

Type	DN	1	2	3	4	5	6	7	8
FT-MG-ISD25AXX	25	G 1	Ø 27.3 (Ø 1.07)	Ø 33.5 (Ø 1.32)	18.5 (0.73)	21.8 (0.86)	23.0 (0.91)	77.9 (3.06)	95.5 (3.75)
FT-MG-ESD25AXX	25	G 1	Ø 27.3 (Ø 1.07)	Ø 33.5 (Ø 1.32)	13.4 (0.53)	21.8 (0.86)	23.0 (0.91)	77.9 (3.06)	95.5 (3.75)
FT-MG-ISD25AXC	25	G 1	Ø 27.3 (Ø 1.07)	Ø 33.5 (Ø 1.32)	18.5 (0.73)	21.8 (0.86)	23.0 (0.91)	77.9 (3.06)	95.5 (3.75)
FT-MG-ESD25AXC	25	G 1	Ø 27.3 (Ø 1.07)	Ø 33.5 (Ø 1.32)	13.4 (0.53)	21.8 (0.86)	23.0 (0.91)	77.9 (3.06)	95.5 (3.75)

SICK AT A GLANCE

SICK is one of the leading manufacturers of intelligent sensors and sensor solutions for industrial applications. A unique range of products and services creates the perfect basis for controlling processes securely and efficiently, protecting individuals from accidents and preventing damage to the environment.

We have extensive experience in a wide range of industries and understand their processes and requirements. With intelligent sensors, we can deliver exactly what our customers need. In application centers in Europe, Asia and North America, system solutions are tested and optimized in accordance with customer specifications. All this makes us a reliable supplier and development partner.

Comprehensive services complete our offering: SICK LifeTime Services provide support throughout the machine life cycle and ensure safety and productivity.

For us, that is “Sensor Intelligence.”

WORLDWIDE PRESENCE:

Contacts and other locations –www.sick.com