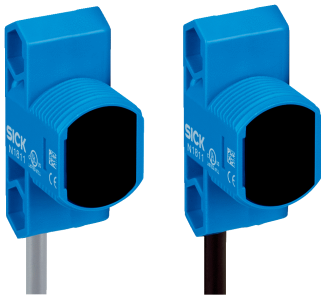


# ZSE18-2AB1G3

Z18 Simple Sense

PHOTOELECTRIC SENSORS

**SICK**  
Sensor Intelligence.



### Ordering information

| Type         | part no. |
|--------------|----------|
| ZSE18-2AB1G3 | 1095845  |

**Included in delivery:** BEF-MU-M18\*1 (2)

Other models and accessories → [www.sick.com/Z18\\_Simple\\_Sense](http://www.sick.com/Z18_Simple_Sense)

Illustration may differ



### Detailed technical data

#### Features

|  |                                   |
|--|-----------------------------------|
| <b>Functional principle</b>            | Through-beam photoelectric sensor |
| <b>Dimensions (W x H x D)</b>          | 13.6 mm x 34.8 mm x 21.9 mm       |
| <b>Housing design (light emission)</b> | Hybrid                            |
| <b>Thread diameter (housing)</b>       | M18                               |
| <b>Mounting system type</b>            | M18, head/side (24.1 ... 25.4 mm) |
| <b>Housing color</b>                   | Blue                              |
| <b>Sensing range max.</b>              | 0 m ... 17 m                      |
| <b>Sensing range</b>                   | 0 m ... 15 m                      |
| <b>Type of light</b>                   | Infrared light                    |
| <b>Light source</b>                    | LED                               |
| <b>Light spot size (distance)</b>      | Ø 20 mm (500 mm)                  |
| <b>Wave length</b>                     | 850 nm                            |

#### Mechanics/electronics

|  |                                     |
|--|-------------------------------------|
| <b>Supply voltage <math>U_B</math></b> | 10 V DC ... 30 V DC                 |
| <b>Ripple</b>                          | < 10 %                              |
| <b>Current consumption</b>             | ≤ 15 mA <sup>1)</sup>               |
| <b>Switching output</b>                | Push-pull: PNP/NPN                  |
| <b>Switching mode</b>                  | Light switching, Dark switching     |
| <b>Switching output detail</b>         |                                     |
| Switching output Q1                    | Push-pull: PNP/NPN, Light switching |

<sup>1)</sup> Without load.

<sup>2)</sup> Signal transit time with resistive load.

<sup>3)</sup> With light/dark ratio 1:1.

<sup>4)</sup> A =  $V_S$  connections reverse-polarity protected.

<sup>5)</sup> B = inputs and output reverse-polarity protected.

<sup>6)</sup> D = outputs overcurrent and short-circuit protected.

|   |                     |   |
|---|---------------------|---|
|   | Switching output Q2 | Push-pull: PNP/NPN, Dark switching                    |
| <b>Output current <math>I_{max}</math>.</b> |                     | 100 mA  |
| <b>Response time</b>                        |                     | $\leq 500 \mu s$ <sup>2)</sup>                        |
| <b>Switching frequency</b>                  |                     | 1,000 kHz <sup>3)</sup>                               |
| <b>Connection type</b>                      |                     | Cable open end, 4-wire, 2,000 mm                      |
| <b>Cable material</b>                       |                     | Plastic, PVC  |
| <b>Conductor cross section</b>              |                     | 0.13 mm <sup>2</sup>                                  |
| <b>Circuit protection</b>                   |                     | A <sup>4)</sup><br>B <sup>5)</sup><br>D <sup>6)</sup> |
| <b>Protection class</b>                     |                     | III   |
| <b>Weight</b>                               |                     | 4.54 g  |
| <b>Housing material</b>                     |                     | Plastic, ABS  |
| <b>Optics material</b>                      |                     | Plastic, PMMA   |
| <b>Enclosure rating</b>                     |                     | IP67  |
| <b>Ambient operating temperature</b>        |                     | -40 °C ... +55 °C                                     |
| <b>Ambient temperature, storage</b>         |                     | -40 °C ... +70 °C                                     |
| <b>UL File No.</b>                          |                     | E189383   |

1) Without load.

2) Signal transit time with resistive load.

3) With light/dark ratio 1:1.

4) A = V<sub>S</sub> connections reverse-polarity protected.

5) B = inputs and output reverse-polarity protected.

6) D = outputs overcurrent and short-circuit protected.

## Connection type/pinouts

|  |                         |                                  |
|--|-------------------------|----------------------------------|
| <b>Connection type</b>                 |                         | Cable open end, 4-wire, 2,000 mm |
| <b>Connection type Detail</b>          |                         |                                  |
|  | Cable material          | Plastic                          |
|  | Conductor cross section | 0.13 mm <sup>2</sup>             |
| <b>Pinouts</b> <small>Sender</small>   |                         |                                  |
|  | BN                      | + (L+)                           |
|  | WH                      | Not connected                    |
|  | BU                      | - (M)                            |
|  | BK                      | Test <sub>IN</sub>               |
| <b>Pinouts</b> <small>Receiver</small> |                         |                                  |
|  | BN                      | + (L+)                           |
|  | WH                      | Q <sub>2</sub>                   |
|  | BU                      | - (M)                            |
|  | BK                      | Q <sub>1</sub>                   |

## Certificates

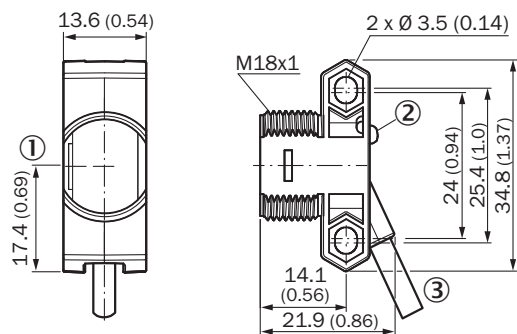
|                                     |   |
|-------------------------------------|---|
| <b>EU declaration of conformity</b> | ✓ |
|-------------------------------------|---|

|   |   |
|---|---|
| <b>UK declaration of conformity</b>       | ✓ |
| <b>ACMA declaration of conformity</b>     | ✓ |
| <b>Moroccan declaration of conformity</b> | ✓ |
| <b>China RoHS</b>                         | ✓ |

### Classifications

|                       |          |
|-----------------------|----------|
| <b>ECLASS 5.0</b>     | 27270901 |
| <b>ECLASS 5.1.4</b>   | 27270901 |
| <b>ECLASS 6.0</b>     | 27270901 |
| <b>ECLASS 6.2</b>     | 27270901 |
| <b>ECLASS 7.0</b>     | 27270901 |
| <b>ECLASS 8.0</b>     | 27270901 |
| <b>ECLASS 8.1</b>     | 27270901 |
| <b>ECLASS 9.0</b>     | 27270901 |
| <b>ECLASS 10.0</b>    | 27270901 |
| <b>ECLASS 11.0</b>    | 27270901 |
| <b>ECLASS 12.0</b>    | 27270901 |
| <b>ETIM 5.0</b>       | EC002716 |
| <b>ETIM 6.0</b>       | EC002716 |
| <b>ETIM 7.0</b>       | EC002716 |
| <b>ETIM 8.0</b>       | EC002716 |
| <b>UNSPSC 16.0901</b> | 39121528 |

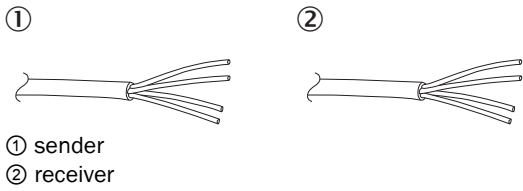
### Dimensional drawing



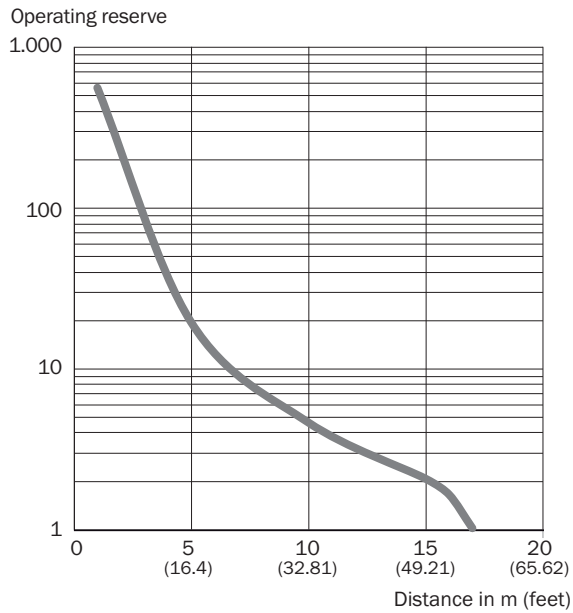
Dimensions in mm (inch)

- ① Optical axis
- ② LED status indicator
- ③ Connection

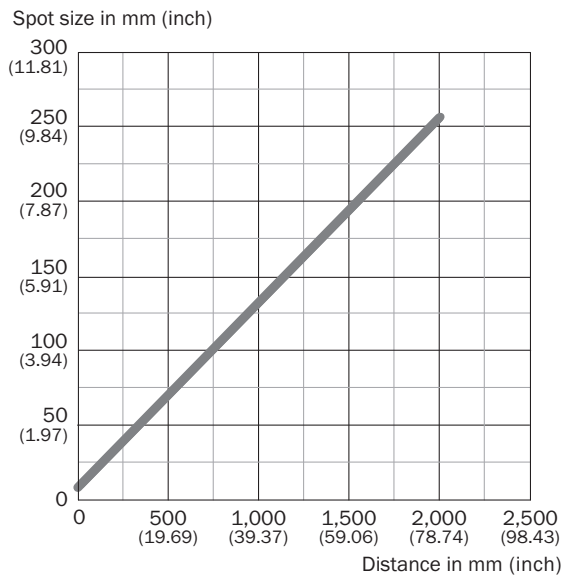
Pinouts, see table Technical data: Connection type/pinouts



Characteristic curve




Light spot size



### Recommended accessories

Other models and accessories → [www.sick.com/Z18\\_Simple\\_Sense](http://www.sick.com/Z18_Simple_Sense)

|   | Brief description   | Type       | part no. |
|---|---|------------|----------|
| Mounting systems  |   |            |          |
|  | <ul style="list-style-type: none"><li>• <b>Description:</b> Mounting bracket for M18 sensors</li><li>• <b>Material:</b> Steel</li><li>• <b>Details:</b> Steel, zinc coated</li><li>• <b>Items supplied:</b> Without mounting hardware</li><li>• <b>Suitable for:</b> GR18, V180-2, V18, W15, Z1, Z2</li></ul> | BEF-WN-M18 | 5308446  |

## SICK AT A GLANCE

SICK is one of the leading manufacturers of intelligent sensors and sensor solutions for industrial applications. A unique range of products and services creates the perfect basis for controlling processes securely and efficiently, protecting individuals from accidents and preventing damage to the environment.

We have extensive experience in a wide range of industries and understand their processes and requirements. With intelligent sensors, we can deliver exactly what our customers need. In application centers in Europe, Asia and North America, system solutions are tested and optimized in accordance with customer specifications. All this makes us a reliable supplier and development partner.

Comprehensive services complete our offering: SICK LifeTime Services provide support throughout the machine life cycle and ensure safety and productivity.

For us, that is “Sensor Intelligence.”

## WORLDWIDE PRESENCE:

Contacts and other locations –[www.sick.com](http://www.sick.com)