



i150-RP224

i150RP

SAFETY COMMAND DEVICES

SICK
Sensor Intelligence.



Ordering information

Type	part no.
i150-RP224	1064511

Other models and accessories → www.sick.com/i150RP



Detailed technical data

Features

Positive action N/C contacts	2
N/O contacts	0
Actuation force (deflection)	125 N (300 mm)
Actuation frequency	≤ 3,600 /h
Actuation directions	1
Cord length	≤ 75 m

Safety-related parameters

B_{10d} parameter	2 x 10 ⁶ switching cycles (with small load)
Safe state in the event of a fault	The switch has no internal fault detection and is unable to assume a safe state in the event of a fault. Fault detection is performed by the connected safety-related logic unit.

Functions

Safe series connection	With Flexi Loop (with diagnostics)
-------------------------------	------------------------------------

Interfaces

Connection type	Plug connector, M12, 4-pin
Coupling nut material	Nickel-plated brass

Electronics

Switching principle	Slow action switching element
Positive action N/C contacts	2
N/O contacts	0
Usage category	DC-13 (IEC 60947-5-1)
Rated operating current (voltage)	2 A (24 V DC)
Rated insulation voltage U_i	32 V
Rated impulse withstand voltage U_{imp}	1,500 V
Short-circuit protection	2 A
Switching voltage	≥ 5 V DC

Switching current (switching voltage)	5 mA (5 V DC)
--	---------------

Mechanics

Dimensions	69 mm x 203 mm x 85 mm
Weight	+ 0.84 kg
Housing material	Die cast lightweight metal
Surface treatment	Varnished
Mechanical life	1 x 10 ⁶ switching cycles

Ambient data

Enclosure rating	IP65 (IEC 60529)
Ambient operating temperature	-25 °C ... +80 °C
Storage temperature	-25 °C ... +80 °C

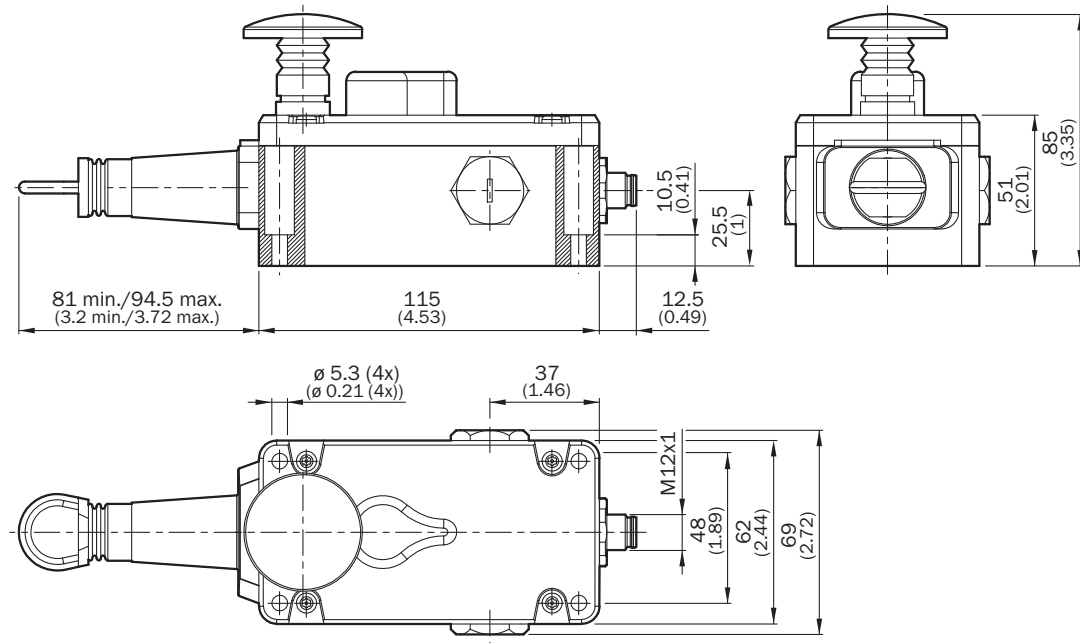
Certificates

EU declaration of conformity	✓
UK declaration of conformity	✓
China RoHS	✓
cULus certificate	✓

Classifications

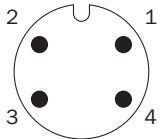
ECLASS 5.0	27270601
ECLASS 5.1.4	27270690
ECLASS 6.0	27270607
ECLASS 6.2	27270607
ECLASS 7.0	27270607
ECLASS 8.0	27270607
ECLASS 8.1	27270607
ECLASS 9.0	27270607
ECLASS 10.0	27270607
ECLASS 11.0	27270607
ECLASS 12.0	27270607
ETIM 5.0	EC002033
ETIM 6.0	EC002033
ETIM 7.0	EC002033
ETIM 8.0	EC002033
UNSPSC 16.0901	39121545

Dimensional drawing



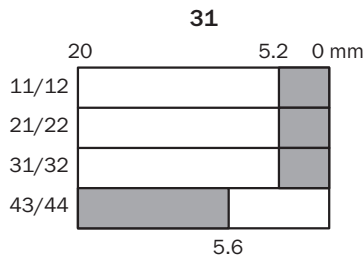
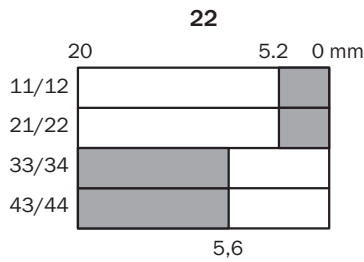
Dimensions in mm (inch)

Pinouts



1	positive action N/C contacts 11/12
2	positive action N/C contacts 21/22
3	positive action N/C contacts 11/12
4	positive action N/C contacts 21/22

Actuator travel diagram Contact action over the entire actuator withdrawl distance (full insertion = 0 mm)



- Contacts open
- Contacts closed

Switching elements

	Rope stack	Rope tensioned	Rope pulled
Switching element 22			
Switching element 31			

Switching element 22:
2 positive action N/C contacts + 2 N/O contact

Switching element 31:
3 positive action N/C contacts + 1 N/O contact

SICK AT A GLANCE

SICK is one of the leading manufacturers of intelligent sensors and sensor solutions for industrial applications. A unique range of products and services creates the perfect basis for controlling processes securely and efficiently, protecting individuals from accidents and preventing damage to the environment.

We have extensive experience in a wide range of industries and understand their processes and requirements. With intelligent sensors, we can deliver exactly what our customers need. In application centers in Europe, Asia and North America, system solutions are tested and optimized in accordance with customer specifications. All this makes us a reliable supplier and development partner.

Comprehensive services complete our offering: SICK LifeTime Services provide support throughout the machine life cycle and ensure safety and productivity.

For us, that is “Sensor Intelligence.”

WORLDWIDE PRESENCE:

Contacts and other locations –www.sick.com