

# CFS50-AZZ0-S04

CFS50

MOTOR FEEDBACK SYSTEMS

**SICK**  
Sensor Intelligence.

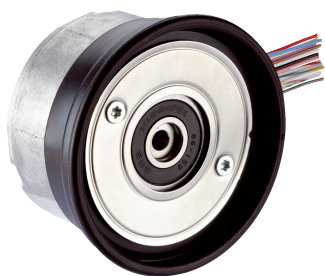


Illustration may differ



### Ordering information

Type	part no.
CFS50-AZZO-S04	1057846

Other models and accessories → [www.sick.com/CFS50](http://www.sick.com/CFS50)

### Detailed technical data

#### Features

<b>Specialty</b>	Stranded cable 400 mm (2061880) included in delivery scope, plug in shaft
------------------	---

#### Performance

<b>Number of lines per revolution</b>	1,024 <sup>1)</sup>
<b>Measuring step</b>	90° /number of lines
<b>Commutation signals</b>	3 pole pairs (See diagram, different commutation on request)
<b>Reference signal, number</b>	1
<b>Reference signal, position</b>	90° electric, logically gated with A and B
<b>Operating speed</b>	≤ 6,000 min <sup>-1</sup>

<sup>1)</sup> Number of lines from 1 ... 1,000 and > 4,096 ... 65,536 on request.

#### Interfaces

<b>Communication interface</b>	Incremental
--------------------------------	-------------

#### Electrical data

<b>Connection type</b>	Stranded wire, 15-pin, radial
<b>Supply voltage</b>	4.5 V DC ... 5.5 V DC
<b>Current consumption</b>	60 mA <sup>1)</sup>
<b>Maximum output frequency</b>	≤ 820 kHz
<b>MTTF: mean time to dangerous failure</b>	355 years (EN ISO 13849) <sup>2)</sup>

<sup>1)</sup> Without load.

<sup>2)</sup> This product is a standard product and does not constitute a safety component as defined in the Machinery Directive. Calculation based on nominal load of components, average ambient temperature 60°C, frequency of use 8760 h/a. All electronic failures are considered hazardous. For more information, see document no. 8015532.

#### Mechanical data

<b>Shaft version</b>	Plug-in shaft
<b>Flange type / stator coupling</b>	Rubber support
<b>Dimensions</b>	See dimensional drawing
<b>Weight</b>	0.1 kg
<b>Moment of inertia of the rotor</b>	10 gcm <sup>2</sup>

<b>Operating speed</b>	12,000 min <sup>-1</sup>
<b>Angular acceleration</b>	≤ 200,000 rad/s <sup>2</sup>
<b>Operating torque</b>	0.2 Ncm
<b>Start up torque</b>	0.4 Ncm
<b>Permissible movement of the drive element, static</b>	± 0.75 mm axial
<b>Permissible movement of the drive element, dynamic</b>	± 0.1 mm radial ± 0.2 mm axial
<b>Angular motion perpendicular to the rotational axis, static</b>	± 0.005 mm/mm
<b>Angular motion perpendicular to the rotational axis, dynamic</b>	± 0.0025 mm/mm
<b>Life of ball bearings</b>	3.6 x 10 <sup>9</sup> revolutions

#### Ambient data

<b>Operating temperature range</b>	-20 °C ... +115 °C
<b>Storage temperature range</b>	-40 °C ... +125 °C, without package
<b>Relative humidity/condensation</b>	90 %, Condensation not permitted
<b>Resistance to shocks</b>	100 g, 10 ms (according to EN 60068-2-27)
<b>Frequency range of resistance to vibrations</b>	20 g, 10 Hz ... 2,000 Hz (EN 60068-2-6)
<b>EMC</b>	According to EN 61000-6-2 and EN 61000-6-3 <sup>1)</sup>
<b>Enclosure rating</b>	IP40 (IEC 60529)

<sup>1)</sup> The EMC according to the standards quoted is achieved when the motor feedback system is mounted in an electrically conductive housing, which is connected to the central earthing point of the motor controller via a cable screen. The GND-(0 V) connection of the supply voltage is also grounded here. If other shielding concepts are used, users must perform their own tests.

#### Certificates

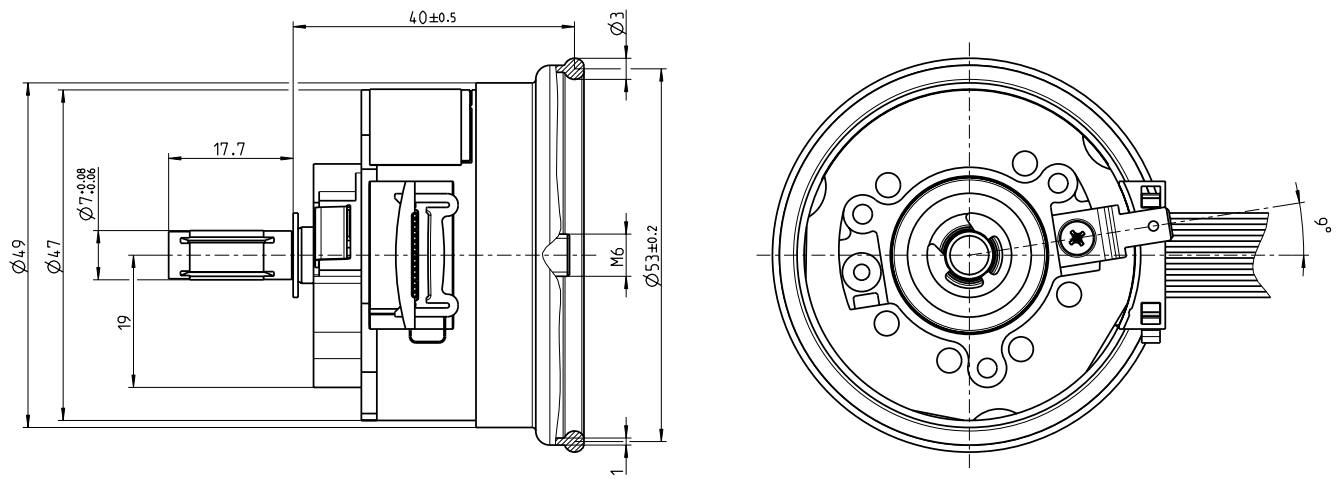
<b>EU declaration of conformity</b>	✓
<b>UK declaration of conformity</b>	✓
<b>ACMA declaration of conformity</b>	✓
<b>China RoHS</b>	✓

#### Classifications

<b>ECLASS 5.0</b>	27270501
<b>ECLASS 5.1.4</b>	27270501
<b>ECLASS 6.0</b>	27270590
<b>ECLASS 6.2</b>	27270590
<b>ECLASS 7.0</b>	27270501
<b>ECLASS 8.0</b>	27270501
<b>ECLASS 8.1</b>	27270501
<b>ECLASS 9.0</b>	27270501
<b>ECLASS 10.0</b>	27273805
<b>ECLASS 11.0</b>	27273901
<b>ECLASS 12.0</b>	27273901
<b>ETIM 5.0</b>	EC001486

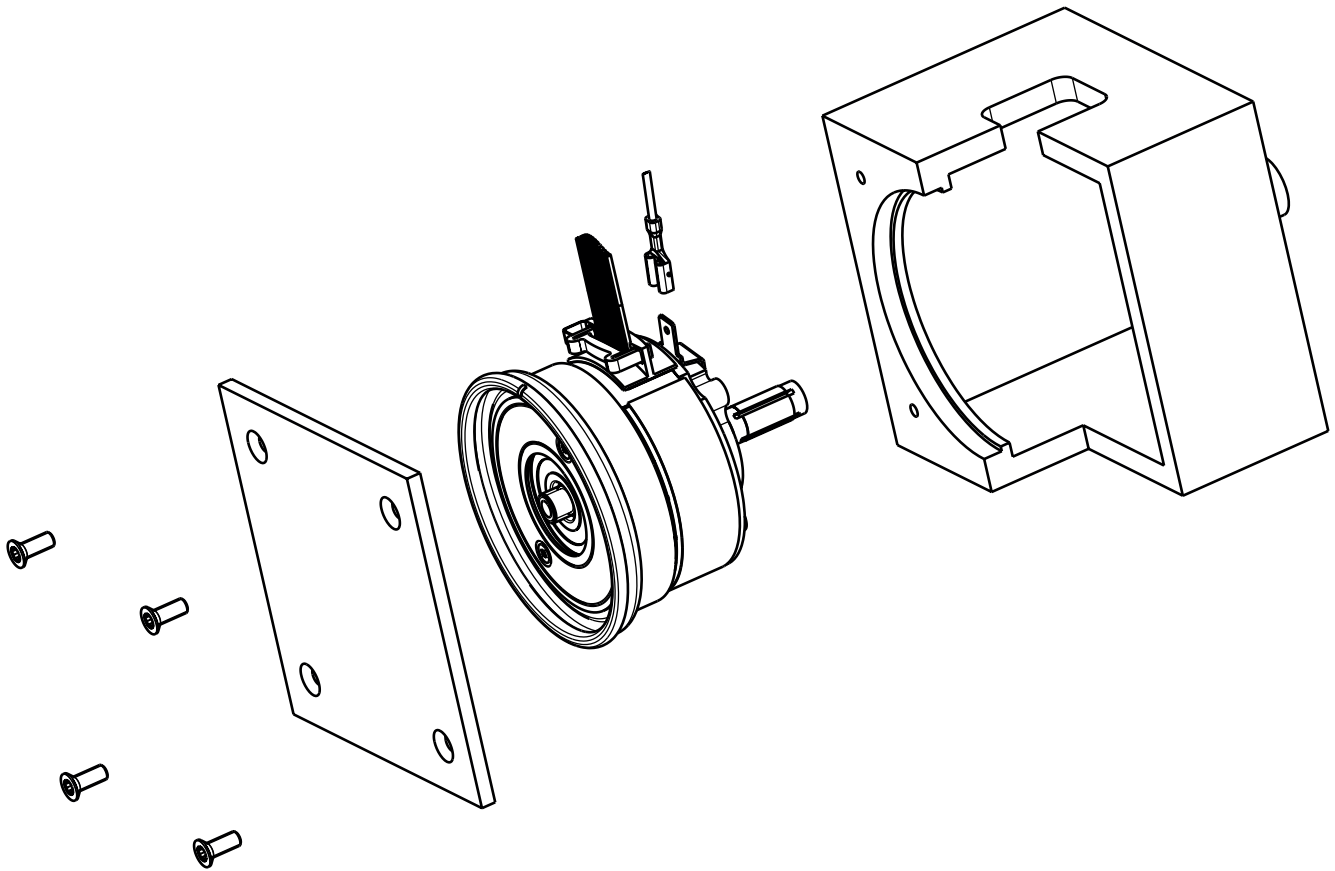
<b>ETIM 6.0</b>	EC001486
<b>ETIM 7.0</b>	EC001486
<b>ETIM 8.0</b>	EC001486
<b>UNSPSC 16.0901</b>	41112113

### Dimensional drawing

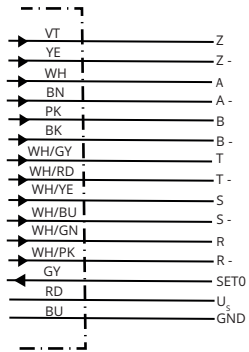


Dimensions in mm (inch)

Attachment specifications



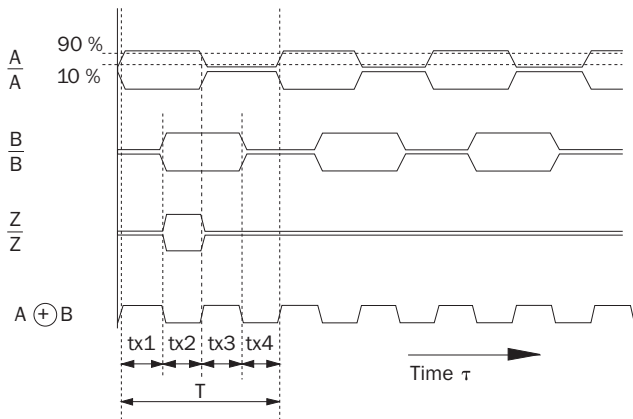
PIN assignment



PIN assignment

PIN	Color	Signal
1	Blue	Ground connection (GND)
2	Red	Supply voltage 5 V ± 10 % (U <sub>S</sub> )
3	Yellow	Reference signal inverted ( $\bar{Z}$ )
4	Purple	Reference signal (Z)
5	Brown	Increment signal inverted ( $\bar{A}$ )
6	White	Increment signal (A)
7	Black	Increment signal inverted ( $\bar{B}$ )
8	Pink	Increment signal (B)
9	White/Red	Commutation signal inverted ( $\bar{T}$ )
10	White/Gray	Commutation signal (T)
11	White/Blue	Commutation signal inverted ( $\bar{S}$ )
12	White/Yellow	Commutation signal (S)
13	White/Pink	Commutation signal inverted ( $\bar{R}$ )
14	White/Green	Commutation signal (R)
15	Gray	Electronic setting of the commutation signals (SET0)

Diagrams At constant speed, looking at the input shaft, and clockwise rotation



At constant rotational speed with regard to the input shaft and rotation in clockwise direction.

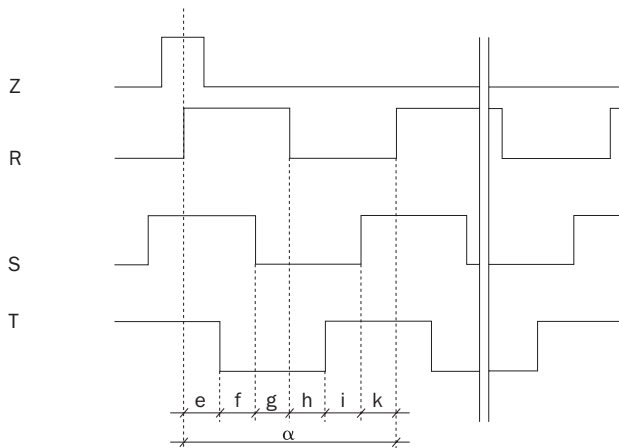
By connecting the two signals A and B, an output signal arises whose period durations tx1 ... tx4 have varying lengths.

The differences are determined:

- by the pulse/pause ratio tolerance of the individual channels
- by the tolerance in the 90° phase shift between A and B
- by the frequency

The times tx1 ... tx4 ideally have to amount to 1/4 of the particular period duration T. The typical output frequency of the encoder is defined so that the max. time tx is smaller than 1.5 x T/4.

## Diagrams



Polpairs	Number of poles	e, f, g, h, i, k	$\alpha$
2	4	30°	180°
3	6	20°	120°
4	8	15°	90°
6	12	10°	60°
8	16	7.5°	45°

The angle information is related to a mechanical shaft rotation. Flank precision of the signals R, S, T  $\pm 1^\circ$ .

## Recommended accessories

Other models and accessories → [www.sick.com/CFS50](http://www.sick.com/CFS50)

	Brief description	Type	part no.
connectors and cables			
	<ul style="list-style-type: none"> <li><b>Connection type head A:</b> Female connector, JST, 8-pin, straight</li> <li><b>Connection type head B:</b> Male connector, M23, 17-pin, straight</li> <li><b>Signal type:</b> Incremental</li> <li><b>Cable:</b> 1 m, 8-wire</li> <li><b>Description:</b> Incremental, unshielded</li> </ul>	DSL-2317-G01MJB7	2071332
	<ul style="list-style-type: none"> <li><b>Connection type head A:</b> Female connector, terminal box, 8-pin, straight</li> <li><b>Connection type head B:</b> Male connector, M23, 17-pin, straight</li> <li><b>Signal type:</b> Incremental</li> <li><b>Cable:</b> 1 m, 8-wire</li> <li><b>Description:</b> Incremental, unshielded</li> </ul>	DSL-2317-G01MJC7	2071331

## SICK AT A GLANCE

SICK is one of the leading manufacturers of intelligent sensors and sensor solutions for industrial applications. A unique range of products and services creates the perfect basis for controlling processes securely and efficiently, protecting individuals from accidents and preventing damage to the environment.

We have extensive experience in a wide range of industries and understand their processes and requirements. With intelligent sensors, we can deliver exactly what our customers need. In application centers in Europe, Asia and North America, system solutions are tested and optimized in accordance with customer specifications. All this makes us a reliable supplier and development partner.

Comprehensive services complete our offering: SICK LifeTime Services provide support throughout the machine life cycle and ensure safety and productivity.

For us, that is “Sensor Intelligence.”

## WORLDWIDE PRESENCE:

Contacts and other locations –[www.sick.com](http://www.sick.com)