



# S30B-3011CA

S300

SAFETY LASER SCANNERS

**SICK**  
Sensor Intelligence.



Illustration may differ



### Ordering information

| Type        | part no. |
|-------------|----------|
| S30B-3011CA | 1056428  |

Other models and accessories → [www.sick.com/S300](http://www.sick.com/S300)

### Detailed technical data

#### Features

|                                       |                                    |
|---------------------------------------|------------------------------------|
| <b>Product version</b>                | S300 Advanced                      |
| <b>Model</b>                          | Sensor without system plug         |
| <b>Application</b>                    | Indoor                             |
| <b>Protective field range</b>         | 3 m                                |
| <b>Warning field range</b>            | 8 m (at 15 % reflectivity)         |
| <b>Distance measuring range</b>       | 30 m                               |
| <b>Type of field set</b>              | Triple field sets                  |
| <b>Number of field sets</b>           | 4                                  |
| <b>Number of fields</b>               | 12                                 |
| <b>Number of monitoring cases</b>     | 4                                  |
| <b>Scanning angle</b>                 | 270°                               |
| <b>Resolution (can be configured)</b> | 30 mm, 40 mm, 50 mm, 70 mm, 150 mm |
| <b>Angular resolution</b>             | 0.5°                               |
| <b>Response time</b>                  | 80 ms <sup>1)</sup>                |
| <b>Protective field supplement</b>    | 100 mm                             |
| <b>Number of multiple samplings</b>   | 2 ... 16, configurable             |
| <b>Delay of automatic reset</b>       | 2 s ... 60 s, configurable         |

<sup>1)</sup> Depending on basic response time and multiple sampling.

#### Safety-related parameters

|                               |                    |
|-------------------------------|--------------------|
| <b>Type</b>                   | Type 3 (IEC 61496) |
| <b>Safety integrity level</b> | SIL 2 (IEC 61508)  |

|   |  |
|---|--|
| <b>Category</b>   | Category 3 (EN ISO 13849)              |
| <b>Performance level</b>  | PL d (EN ISO 13849)                    |
| <b>PFH<sub>D</sub> (mean probability of a dangerous failure per hour)</b> | 8.0 x 10 <sup>-8</sup>                 |
| <b>T<sub>M</sub> (mission time)</b>                                       | 20 years (EN ISO 13849)                |
| <b>Safe state in the event of a fault</b>                                 | At least one OSSD is in the OFF state. |

## Functions

|   |            |
|---|------------|
| <b>Restart interlock</b>                      | ✓          |
| <b>External device monitoring (EDM)</b>       | ✓          |
| <b>Multiple sampling</b>                      | ✓          |
| <b>Monitoring case switching</b>              | ✓          |
| <b>Static protective field switching</b>      | ✓          |
| <b>Contour as a reference</b>                 | ✓          |
| <b>Integrated configuration memory</b>        | ✓          |
| <b>Measured data output</b>                   | Via RS-422 |
| <b>Safe SICK device communication via EFI</b> | ✓          |

## Interfaces

|  |   |
|--|---|
| <b>Connection type</b>                         | System plug with or without connecting cable        |
| <b>Universal I/Os</b>                          | 5 <sup>1)</sup>                                     |
| <b>Inputs</b>                                  |   |
| External device monitoring (EDM)               | 1 <sup>2)</sup>                                     |
| Reset/restart                                  | 1 <sup>2)</sup>                                     |
| Static control inputs                          | 2   |
| Static control inputs with EFI                 | 5 <sup>3)</sup>                                     |
| Standby  | 1   |
| <b>Outputs</b>                                 |   |
| OSSD pairs                                     | 1   |
| Application diagnostic outputs                 | 3 <sup>4)</sup>                                     |
| <b>Configuration method</b>                    | PC with CDS (Configuration and Diagnostic Software) |
| <b>Configuration and diagnostics interface</b> | RS-232  |
| Transmission rate                              | 38.4 kBaud  |
| <b>Data interface</b>                          | RS-422  |
| Transmission rate                              | ≤ 500 kBaud   |
| <b>Safe SICK device communication via EFI</b>  |   |
| Transmission rate                              | ≤ 500 kBaud   |
| Length of cable                                | ≤ 50 m  |
| Conductor cross section                        | 0.22 mm <sup>2</sup>                                |

<sup>1)</sup> Freely programmable, e.g., external device monitoring input, reset input, contamination warning, reset required.

<sup>2)</sup> Availability depends on the configuration of the universal I/Os.

<sup>3)</sup> In combination with an EFI device (Flexi Soft or EFI gateway) five static control inputs are available. Otherwise two.

<sup>4)</sup> Freely programmable, e.g. warning field, contamination, reset required.

## Electronics

|   |   |
|---|---|
| <b>Protection class</b>                 | III (EN 50178, EN 60950)                    |
| <b>Supply voltage V<sub>s</sub></b>     | 24 V DC (16.8 V DC ... 30 V DC)             |
| <b>Power consumption</b>                | 0.33 A <sup>1)</sup><br>1.7 A <sup>2)</sup> |
| <b>Outputs</b>                          |   |
| Output signal switching devices (OSSDs) | 2 x 250 mA                                  |
| Application diagnostic outputs          | 3 x 100 mA <sup>3)</sup>                    |

<sup>1)</sup> At 24 V DC without output load.

<sup>2)</sup> At 24 V DC including maximum output load.

<sup>3)</sup> Freely programmable, e.g. warning field, contamination, reset required.

## Mechanics

|                                    |  |
|------------------------------------|--|
| <b>Dimensions (W x H x D)</b>      | 102 mm x 152 mm x 106 mm               |
| <b>Weight</b>                      | 1.2 kg                                 |
| <b>Housing material</b>            | Aluminum die cast                      |
| <b>Housing color</b>               | RAL 1021 (yellow)                      |
| <b>Optics cover material</b>       | Polycarbonate                          |
| <b>Optics cover surface finish</b> | Outside with scratch-resistant coating |

## Ambient data

|                                      |   |
|--------------------------------------|---|
| <b>Enclosure rating</b>              | IP65 (EN 60529)   |
| <b>Ambient operating temperature</b> | -10 °C ... +50 °C   |
| <b>Storage temperature</b>           | -25 °C ... +50 °C   |
| <b>Vibration resistance</b>          | IEC 60068-2-6, IEC 60068-2-64, IEC 60721-3-5, IEC TR 60721-4-5, IEC 61496-3 |
| Class                                | 5M1 (IEC 60721-3-5)   |
| <b>Shock resistance</b>              | IEC 60068-2-27, IEC 60721-3-5, IEC TR 60721-4-5, IEC 61496-3                |
| Class                                | 5M1 (IEC 60721-3-5)   |
| Continuous shock                     | 50 m/s <sup>2</sup> , 11 ms<br>100 m/s <sup>2</sup> , 16 ms                 |

## Other information

|                                    |   |
|------------------------------------|---|
| <b>Type of light</b>               | Pulsed laser diode                          |
| <b>Wave length</b>                 | 905 nm                                      |
| <b>Detectable remission factor</b> | 1.8 % ... > 1,000 %, reflectors             |
| <b>Laser class</b>                 | 1 (21 CFR 1040.10 and 1040.11, IEC 60825-1) |

## Certificates

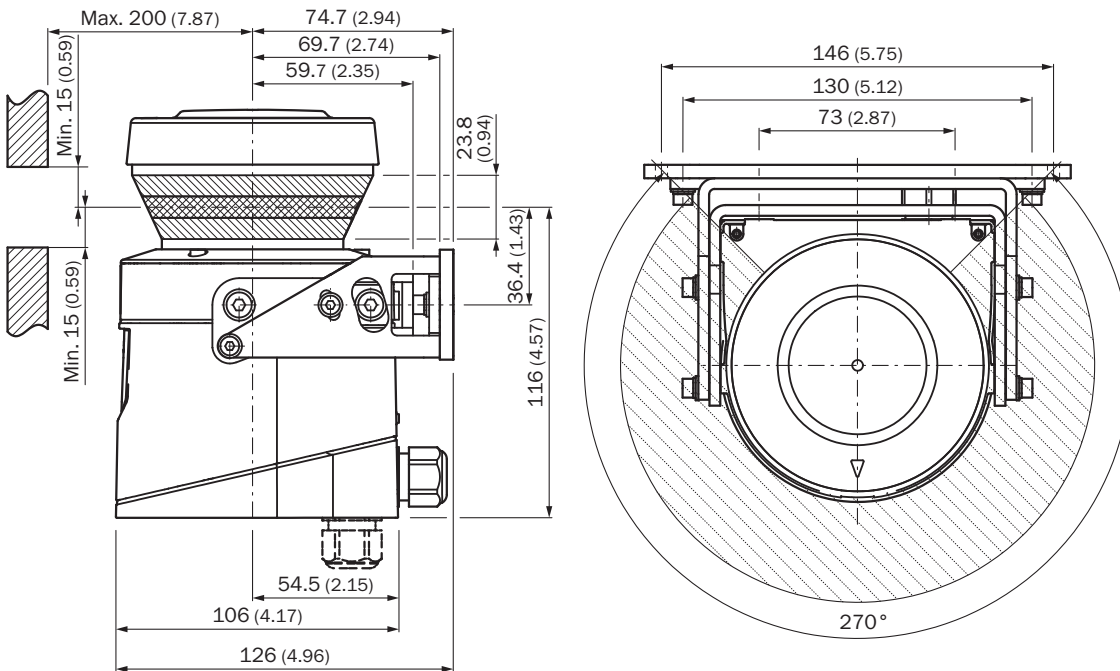
|                                       |   |
|---------------------------------------|---|
| <b>EU declaration of conformity</b>   | ✓ |
| <b>UK declaration of conformity</b>   | ✓ |
| <b>ACMA declaration of conformity</b> | ✓ |
| <b>China RoHS</b>                     | ✓ |
| <b>cULus certificate</b>              | ✓ |
| <b>EC-Type-Examination approval</b>   | ✓ |

|  |   |
|--|---|
| <b>China GB certificate</b>  | ✓ |
| <b>Information according to Art. 3 of Data Act (Regulation EU 2023/2854)</b> | ✓ |

Classifications

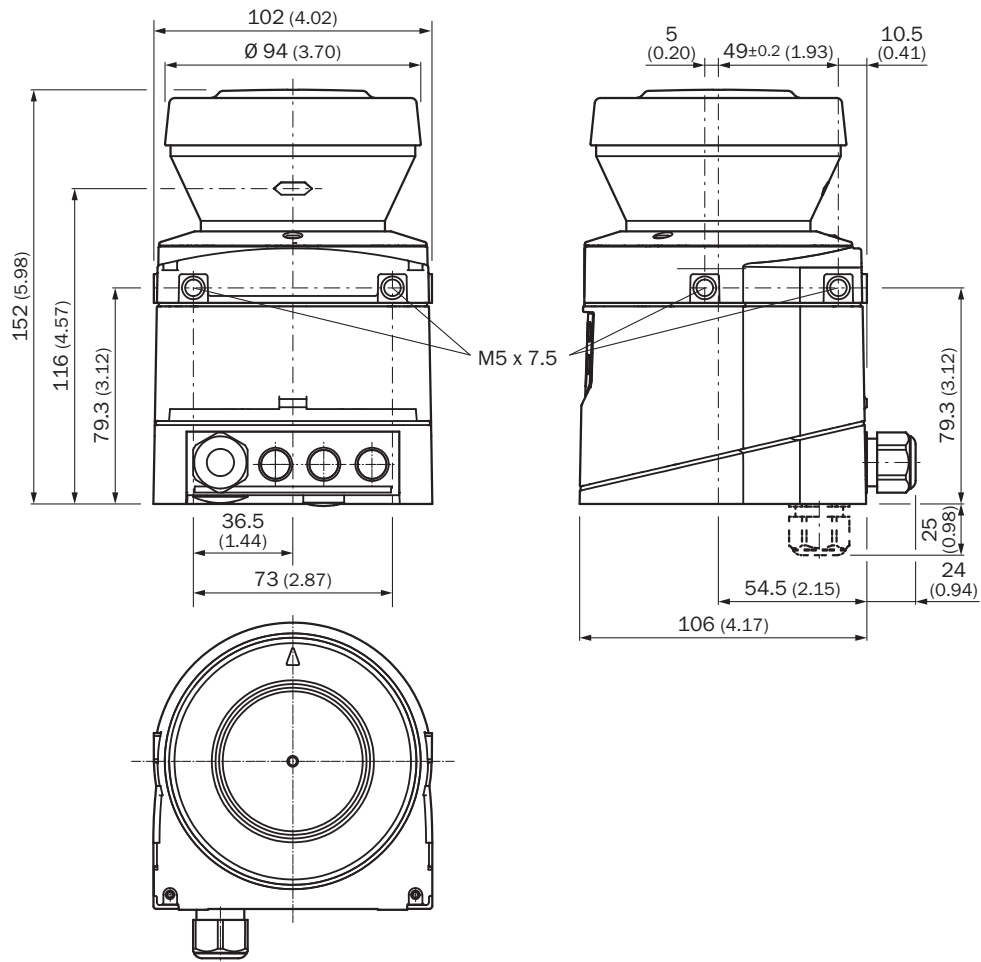
|                       |          |
|-----------------------|----------|
| <b>ECLASS 5.0</b>     | 27272705 |
| <b>ECLASS 5.1.4</b>   | 27272705 |
| <b>ECLASS 6.0</b>     | 27272705 |
| <b>ECLASS 6.2</b>     | 27272705 |
| <b>ECLASS 7.0</b>     | 27272705 |
| <b>ECLASS 8.0</b>     | 27272705 |
| <b>ECLASS 8.1</b>     | 27272705 |
| <b>ECLASS 9.0</b>     | 27272705 |
| <b>ECLASS 10.0</b>    | 27272705 |
| <b>ECLASS 11.0</b>    | 27272705 |
| <b>ECLASS 12.0</b>    | 27272705 |
| <b>ETIM 5.0</b>       | EC002550 |
| <b>ETIM 6.0</b>       | EC002550 |
| <b>ETIM 7.0</b>       | EC002550 |
| <b>ETIM 8.0</b>       | EC002550 |
| <b>UNSPSC 16.0901</b> | 39121528 |

Dimensional drawing Scan plane origin



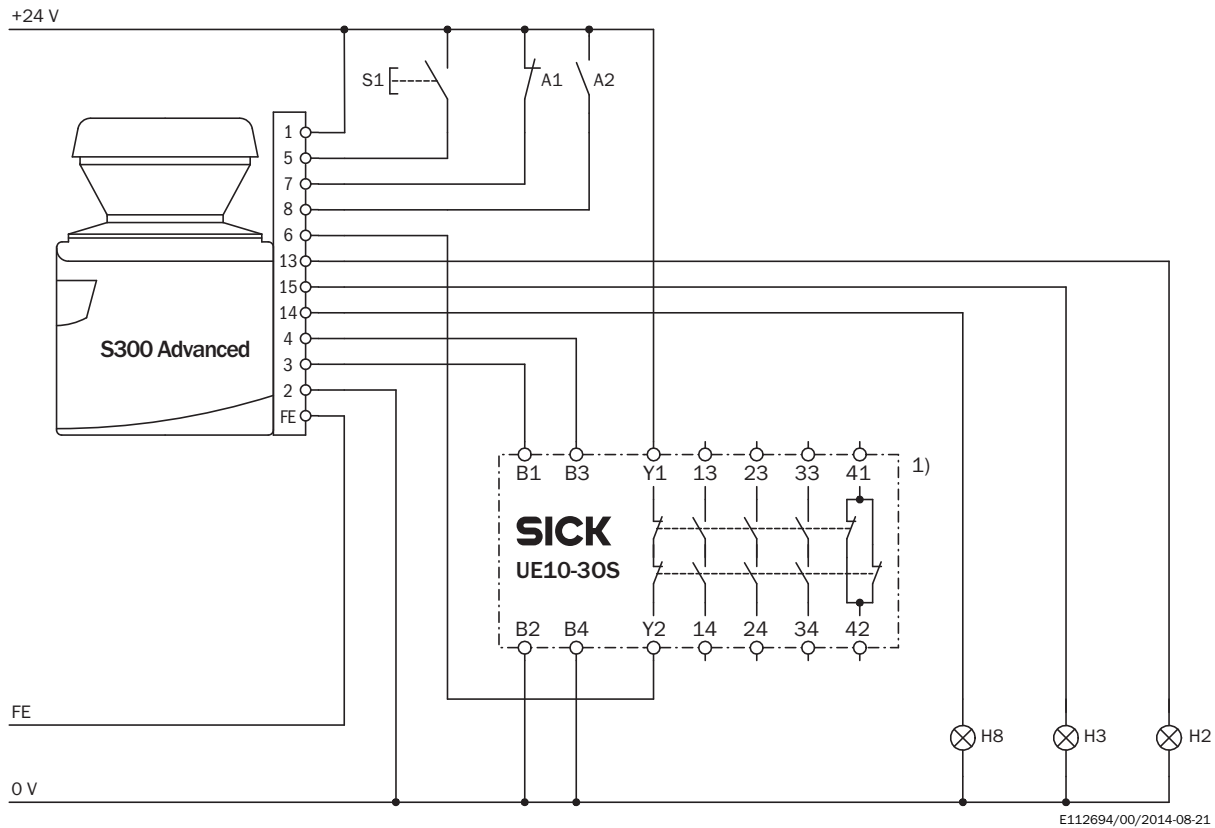
Dimensions in mm (inch)

Dimensional drawing Laser scanner



Dimensions in mm (inch)

Connection diagram Protective field switching with one pair of static inputs



**Comments**

<sup>1)</sup> Output circuits: These contacts must be incorporated into the control such that the dangerous state is brought to an end if the output circuit is open. For categories 4 and 3, they must be incorporated on two channels (x, y paths). Single-channel incorporation into the control (z path) is only possible with a single-channel control and taking the risk analysis into account.

Recommended accessories

Other models and accessories → [www.sick.com/S300](http://www.sick.com/S300)

|   | Brief description   | Type                 | part no. |
|---|---|----------------------|----------|
| <b>Mounting systems</b>   |   |                      |          |
|    | <ul style="list-style-type: none"> <li><b>Description:</b> Mounting bracket for rear mounting on wall or machine</li> <li><b>Material:</b> Anodized aluminum</li> <li><b>Details:</b> AlMg3, black anodized</li> <li><b>Packing unit:</b> 1 piece</li> <li><b>Items supplied:</b> Mounting bracket, 4 x M5 x 10 countersunk screws</li> </ul>   | Mounting kit 1a      | 2034324  |
|    | <ul style="list-style-type: none"> <li><b>Description:</b> Mounting bracket for rear mounting on wall or machine with protection of optics hood</li> <li><b>Material:</b> Anodized aluminum</li> <li><b>Details:</b> AlMg3, black anodized</li> <li><b>Packing unit:</b> 1 piece</li> <li><b>Items supplied:</b> Mounting bracket, 4 x M5 x 10 countersunk screws</li> </ul>  | Mounting kit 1b      | 2034325  |
|    | <ul style="list-style-type: none"> <li><b>Description:</b> Mounting bracket, adjustable lateral axis, only in conjunction with mounting kit 1a (2034324) or 1b (2034325)</li> <li><b>Material:</b> Anodized aluminum</li> <li><b>Details:</b> AlMg3, black anodized</li> <li><b>Packing unit:</b> 1 piece</li> <li><b>Items supplied:</b> Mounting bracket, 4 x countersunk screws with washers M4 x 10, 4 x spring washer</li> </ul> | Mounting kit 2       | 2039302  |
|    | <ul style="list-style-type: none"> <li><b>Description:</b> Mounting plate, adjustable longitudinal axis, only in conjunction with mounting kit 2 (2039302)</li> <li><b>Material:</b> Anodized aluminum</li> <li><b>Details:</b> AlMg3, black anodized</li> <li><b>Packing unit:</b> 1 piece</li> <li><b>Items supplied:</b> Mounting plate, 2 x countersunk screws with washers M4 x 10, 2 x spring washer</li> </ul>                 | Mounting kit 3       | 2039303  |
| <b>connectors and cables</b>  |   |                      |          |
|   | <ul style="list-style-type: none"> <li><b>Connection type head A:</b> Male connector, M8, 4-pin, straight</li> <li><b>Connection type head B:</b> Male connector, USB-A, straight</li> <li><b>Cable:</b> 2 m, 4-wire, PVC</li> <li><b>Description:</b> Unshielded</li> </ul>  | DSL-8U04G02M025KM:   | 6034574  |
|  | <ul style="list-style-type: none"> <li><b>Connection type head A:</b> Male connector, M8, 4-pin, straight</li> <li><b>Connection type head B:</b> Male connector, USB-A, straight</li> <li><b>Cable:</b> 10 m, 4-wire, PVC</li> <li><b>Description:</b> Unshielded</li> </ul>   | DSL-8U04G10M025KM:   | 6034575  |
|  | <ul style="list-style-type: none"> <li><b>Connection type head A:</b> Flying leads</li> <li><b>Connection type head B:</b> Flying leads</li> <li><b>Items supplied:</b> By the meter</li> <li><b>Cable:</b> 15-wire, AWG20, PVC</li> <li><b>Description:</b> Unshielded</li> <li><b>Note:</b> On 100 m reel</li> </ul>  | Connecting cable     | 6030795  |
|  | <ul style="list-style-type: none"> <li><b>Connection type head A:</b> Flying leads</li> <li><b>Connection type head B:</b> Flying leads</li> <li><b>Items supplied:</b> By the meter</li> <li><b>Cable:</b> 2-wire, twisted pair, 120 Ohm, PVC</li> <li><b>Description:</b> Shielded</li> <li><b>Note:</b> Fitting for EFI connections</li> </ul>   | EFI connecting cable | 6029448  |
| <b>system plugs and extension modules</b>   |   |                      |          |
|  | <ul style="list-style-type: none"> <li><b>Description:</b> Without cable, Not for use of incremental encoders, integrated configuration storage</li> </ul>  | SX0B-A0000G          | 2032807  |
|  | <ul style="list-style-type: none"> <li><b>Cable:</b> 5 m, 15-wire, PVC</li> <li><b>Description:</b> Pre-assembled, unshielded, Not for use of incremental encoders, integrated configuration storage</li> <li><b>Connection systems:</b> Flying leads</li> </ul>  | SX0B-B1505G          | 2034264  |
|  | <ul style="list-style-type: none"> <li><b>Cable:</b> 10 m, 15-wire, PVC</li> <li><b>Description:</b> Pre-assembled, unshielded, Not for use of incremental encoders, integrated configuration storage</li> <li><b>Connection systems:</b> Flying leads</li> </ul>   | SX0B-B1510G          | 2034265  |



## SICK AT A GLANCE

SICK is one of the leading manufacturers of intelligent sensors and sensor solutions for industrial applications. A unique range of products and services creates the perfect basis for controlling processes securely and efficiently, protecting individuals from accidents and preventing damage to the environment.

We have extensive experience in a wide range of industries and understand their processes and requirements. With intelligent sensors, we can deliver exactly what our customers need. In application centers in Europe, Asia and North America, system solutions are tested and optimized in accordance with customer specifications. All this makes us a reliable supplier and development partner.

Comprehensive services complete our offering: SICK LifeTime Services provide support throughout the machine life cycle and ensure safety and productivity.

For us, that is “Sensor Intelligence.”

## WORLDWIDE PRESENCE:

Contacts and other locations –[www.sick.com](http://www.sick.com)