



UE4740-22H0000

EFI gateways

NETWORK DEVICES

SICK
Sensor Intelligence.



Ordering information

Type	part no.
UE4740-22H0000	1046978

Other models and accessories → www.sick.com/EFI_gateways



Detailed technical data

Certificates

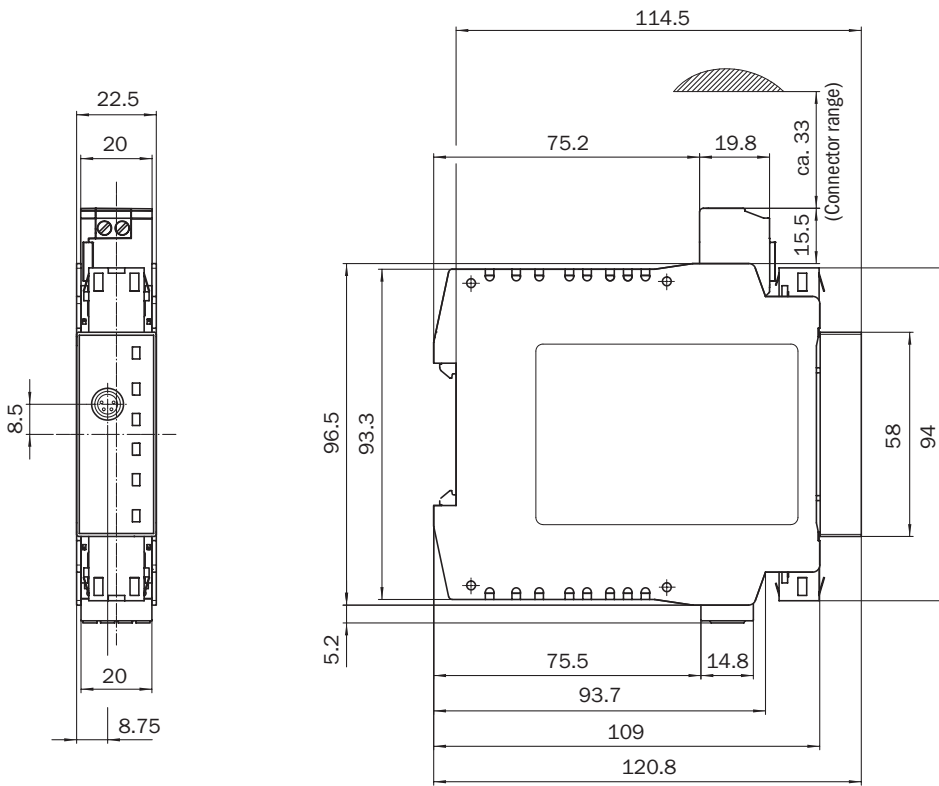
EU declaration of conformity	✓
UK declaration of conformity	✓
ACMA declaration of conformity	✓
China RoHS	✓
cULus certificate	✓
cTUVus certificate	✓
Profinet certificate	✓
PROFIsafe certificate	✓
Information according to Art. 3 of Data Act (Regulation EU 2023/2854)	✓

Classifications

ECLASS 5.0	27242205
ECLASS 5.1.4	27242605
ECLASS 6.0	27242605
ECLASS 6.2	27242605
ECLASS 7.0	27242605
ECLASS 8.0	27242605
ECLASS 8.1	27242605
ECLASS 9.0	27242605
ECLASS 10.0	27242605
ECLASS 11.0	27242605
ECLASS 12.0	27242605
ETIM 5.0	EC001601

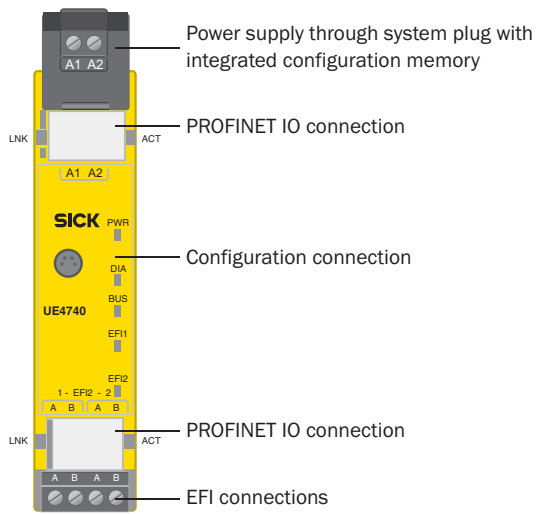
ETIM 6.0	EC001601
ETIM 7.0	EC001601
ETIM 8.0	EC001601
UNSPSC 16.0901	32151705

Dimensional drawing

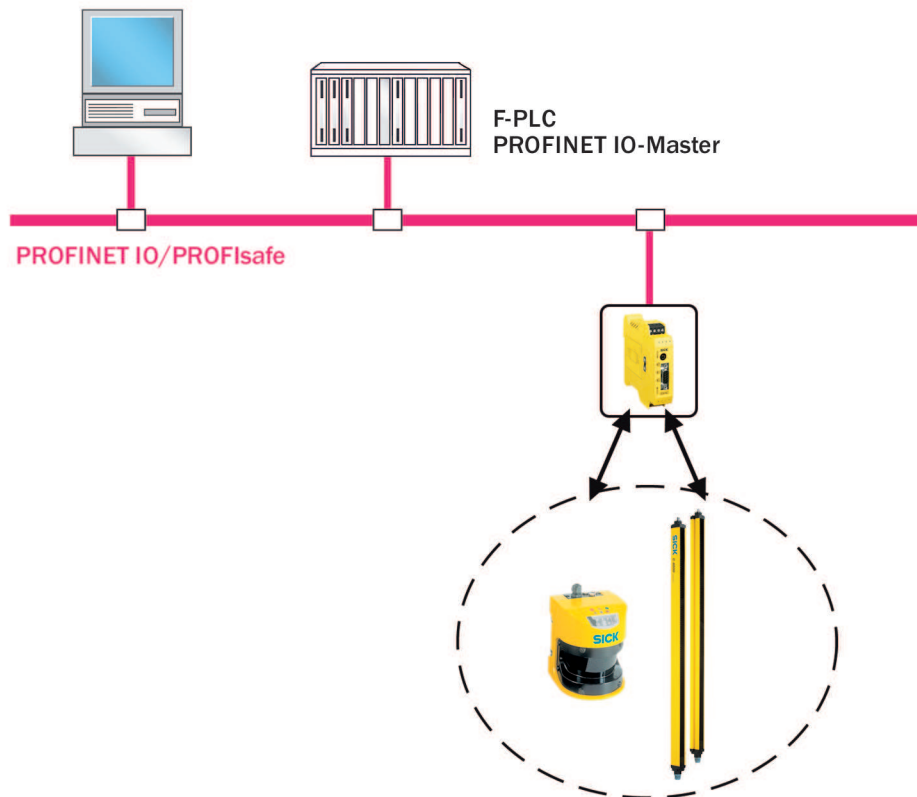


Dimensions in mm (inch)

Connection diagram




Application



Recommended accessories

Other models and accessories → www.sick.com/EFI_gateways

	Brief description	Type	part no.
system plugs and extension modules			
	<ul style="list-style-type: none"> • Connection systems: Screw-type terminals • Compatible devices: For FX3-CPU2 and FX3-CPU3 	FX3-MPL100001	1047162

SICK AT A GLANCE

SICK is one of the leading manufacturers of intelligent sensors and sensor solutions for industrial applications. A unique range of products and services creates the perfect basis for controlling processes securely and efficiently, protecting individuals from accidents and preventing damage to the environment.

We have extensive experience in a wide range of industries and understand their processes and requirements. With intelligent sensors, we can deliver exactly what our customers need. In application centers in Europe, Asia and North America, system solutions are tested and optimized in accordance with customer specifications. All this makes us a reliable supplier and development partner.

Comprehensive services complete our offering: SICK LifeTime Services provide support throughout the machine life cycle and ensure safety and productivity.

For us, that is “Sensor Intelligence.”

WORLDWIDE PRESENCE:

Contacts and other locations –www.sick.com