



# CLV505-0000

CLV50x

**FIXED MOUNT BARCODE SCANNERS**

**SICK**  
Sensor Intelligence.



## Ordering information

Type	part no.
CLV505-0000	1046317

Other models and accessories → [www.sick.com/CLV50x](http://www.sick.com/CLV50x)



## Detailed technical data

### Features

<b>Version</b>	Mid Range
<b>Connection type</b>	Cable
<b>Reading field</b>	Front
<b>Sensor type</b>	Line scanner
<b>Optical focus</b>	Fixed focus
<b>Light source</b>	Light spot, laser, Visible, Red, 650 nm
<b>Laser class</b>	2, complies with 21 CFR 1040.10 except for the conformance according to "Laser Notice No. 56" from May 8, 2019 (EN 60825-1:2014+A11:2021, IEC 60825-1:2014)
<b>Aperture angle</b>	≤ 40°
<b>Reading distance</b>	60 mm ... 330 mm <sup>1)</sup>
<b>Scanning frequency</b>	≤ 1,000 Hz
<b>Code resolution</b>	0.15 mm ... 1 mm

<sup>1)</sup> For details see reading field diagram.

### Mechanics/electronics

<b>Connection type</b>	1 x Cable open cable end (1,5 m)
<b>Supply voltage</b>	5 V DC, ± 10 %
<b>Power consumption</b>	typ. 205 ... 500 mA
<b>Housing color</b>	Light blue (RAL 5012)
<b>Window material</b>	Plastic
<b>Enclosure rating</b>	IP54
<b>Protection class</b>	III
<b>Weight</b>	+ 30 g, without cable
<b>Dimensions (L x W x H)</b>	29 mm x 34.5 mm x 17 mm
<b>MTBF</b>	10,000 h

### Performance

<b>Readable code structures</b>	1D codes
<b>Bar code types</b>	Code 11, Code 39, Code 128, Code 93, Codabar, JAN, UPC / GTIN / EAN, Interleaved 2 of 5, 2/5 Industrial, Matrix 2 of 5, China Post, GS1 DataBar (Expanded, Limited, Truncated, 14 Stacked, Expanded Stacked, Stacked, with Composite A/B), IATA, ISBN-ISMN-ISSN, Korea Post, MSI/Plessey, UK/Plessey, S-Code, Telepen, Code 39 Trioptic
<b>Code printing process</b>	Label (printed codes)

## Interfaces

<b>Serial</b>	✓
Data transmission rate	≤ 115.2 kBaud
<b>Digital inputs</b>	1 (Reading pulse trigger)
<b>Digital outputs</b>	2 ("Good Read" / "No Read")
<b>Reading pulse</b>	Button at housing, serial command, Digital input
<b>Optical indicators</b>	1 LED
<b>Acoustic indicators</b>	Beeper/buzzer

## Ambient data

<b>Electromagnetic compatibility (EMC)</b>	EN 61000-6-3 (2007-01) <sup>1)</sup>
<b>Ambient operating temperature</b>	0 °C ... +45 °C
<b>Relative humidity</b>	± 90 %, Non-condensing
<b>Ambient light immunity</b>	2,000 lx
<b>Bar code print contrast (PCS)</b>	≥ 45 %

<sup>1)</sup> For ESD safe installation.

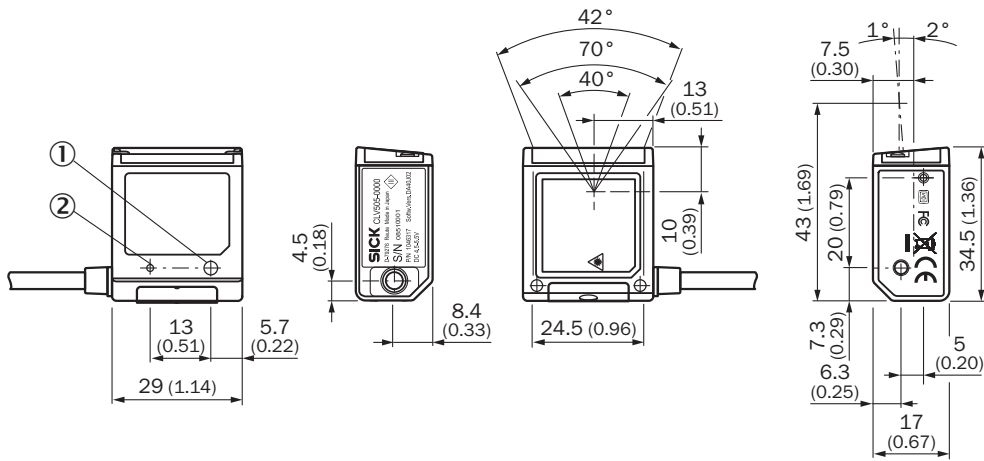
## Certificates

<b>EU declaration of conformity</b>	✓
<b>China RoHS</b>	✓
<b>cULus certificate</b>	✓
<b>KC Mark certificate</b>	✓
<b>Information according to Art. 3 of Data Act (Regulation EU 2023/2854)</b>	✓

## Classifications

<b>ECLASS 5.0</b>	27280102
<b>ECLASS 5.1.4</b>	27280102
<b>ECLASS 6.0</b>	27280102
<b>ECLASS 6.2</b>	27280102
<b>ECLASS 7.0</b>	27280102
<b>ECLASS 8.0</b>	27280102
<b>ECLASS 8.1</b>	27280102
<b>ECLASS 9.0</b>	27280102
<b>ECLASS 10.0</b>	27280102
<b>ECLASS 11.0</b>	27280102
<b>ECLASS 12.0</b>	27280102
<b>ETIM 5.0</b>	EC002550
<b>ETIM 6.0</b>	EC002550
<b>ETIM 7.0</b>	EC002550
<b>ETIM 8.0</b>	EC002550
<b>UNSPSC 16.0901</b>	43211701

Dimensional drawing

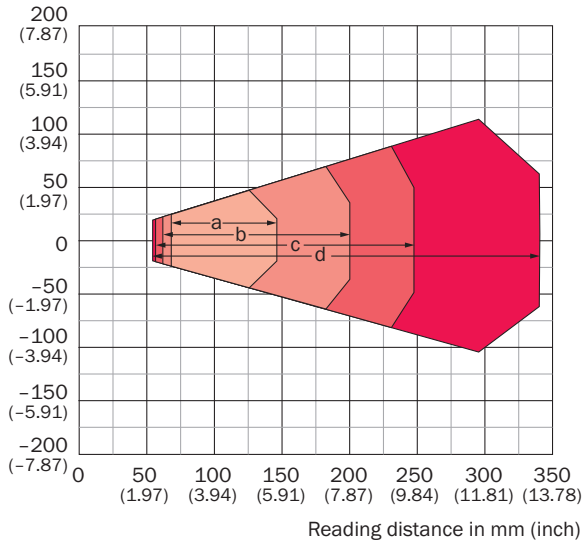


Dimensions in mm (inch)

- ① M3; 5 deep
- ② Ø 2; 1.0 deep

Reading field diagram

Reading field height in mm (inch)




Resolution

- a: 0.15 mm (5.9 mil)
- b: 0.25 mm (9.8 mil)
- c: 0.50 mm (19.7 mil)
- d: 1.00 mm (39.4 mil)

## Recommended accessories

Other models and accessories → [www.sick.com/CLV50x](http://www.sick.com/CLV50x)

	Brief description	Type	part no.
Mounting systems			
	<ul style="list-style-type: none"><li><b>Description:</b> Bracket with adapter board</li></ul>	Mounting bracket	2050022

## SICK AT A GLANCE

SICK is one of the leading manufacturers of intelligent sensors and sensor solutions for industrial applications. A unique range of products and services creates the perfect basis for controlling processes securely and efficiently, protecting individuals from accidents and preventing damage to the environment.

We have extensive experience in a wide range of industries and understand their processes and requirements. With intelligent sensors, we can deliver exactly what our customers need. In application centers in Europe, Asia and North America, system solutions are tested and optimized in accordance with customer specifications. All this makes us a reliable supplier and development partner.

Comprehensive services complete our offering: SICK LifeTime Services provide support throughout the machine life cycle and ensure safety and productivity.

For us, that is “Sensor Intelligence.”

## WORLDWIDE PRESENCE:

Contacts and other locations –[www.sick.com](http://www.sick.com)