



# ISD400-6111

ISD400

OPTICAL DATA TRANSMISSION

**SICK**  
Sensor Intelligence.



### Ordering information

Type	part no.
ISD400-6111	1046119

Other models and accessories → [www.sick.com/ISD400](http://www.sick.com/ISD400)

Illustration may differ



### Detailed technical data

#### Features

<b>Product segment</b>	Optical data transmission
<b>Product</b>	ISD400
<b>Product version</b>	ISD400 Core
<b>Housing material</b>	Metal
<b>Enclosure rating</b>	IP65
<b>Light source</b>	LED, infrared, 880 nm
<b>Power consumption</b>	<sup>1)</sup>
<b>Ambient operating temperature</b>	-25 °C ... +55 °C
<b>Relative humidity</b>	90 %, Non-condensing
<b>Weight</b>	Approx. 900 g

<sup>1)</sup> Without load.

#### Mechanics/electronics

<b>Supply voltage V<sub>s</sub></b>	DC 18 V ... 30 V
<b>Power consumption</b>	≤ 4.8 W <sup>1)</sup>
<b>Transmission range</b>	0.2 m 180 m
<b>Connection type</b>	Connector, M12, 4-pin
<b>Enclosure rating</b>	IP65
<b>Protection class</b>	III

<sup>1)</sup> Without load.

#### Performance

<b>Transmission range</b>	0.2 m ... 180 m
<b>Light source</b>	LED, infrared (880 nm)
<b>Typ. light spot size (distance)</b>	1.75 m (at 100 m)

## Interfaces

<b>Ethernet</b>		✓
	Data transmission rate	3 Mbit/s
<b>Digital input</b>		V <sub>S</sub> : sender deactivated
<b>Digital output</b>	Number	1 <sup>1)</sup>
	Type	PNP
<b>Signal delay</b>		≤ 350 μs, + no. of Bytes x 8 / 3 Mbit/s <sup>2)</sup>

<sup>1)</sup> HIGH: U<sub>v</sub> - 3 V, LOW: < 2 V.

<sup>2)</sup> 1 μs + 2 Tbit only for PROFIBUS.

## Ambient data

<b>Electromagnetic compatibility (EMC)</b>	EN 61000-6-2 <sup>1)</sup> EN 61000-6-4
<b>Ambient temperature, operation</b>	-25 °C ... +55 °C
<b>Max. rel. humidity (not condensing)</b>	90 %, Non-condensing

<sup>1)</sup> This is a Class A device. This device can cause radio interference in living quarters.

## General notes

<b>Note</b>	2 devices are required to construct a data transmission path. The devices are identical and must be ordered separately. Frequencies F1 and F2 can be set.
-------------	---

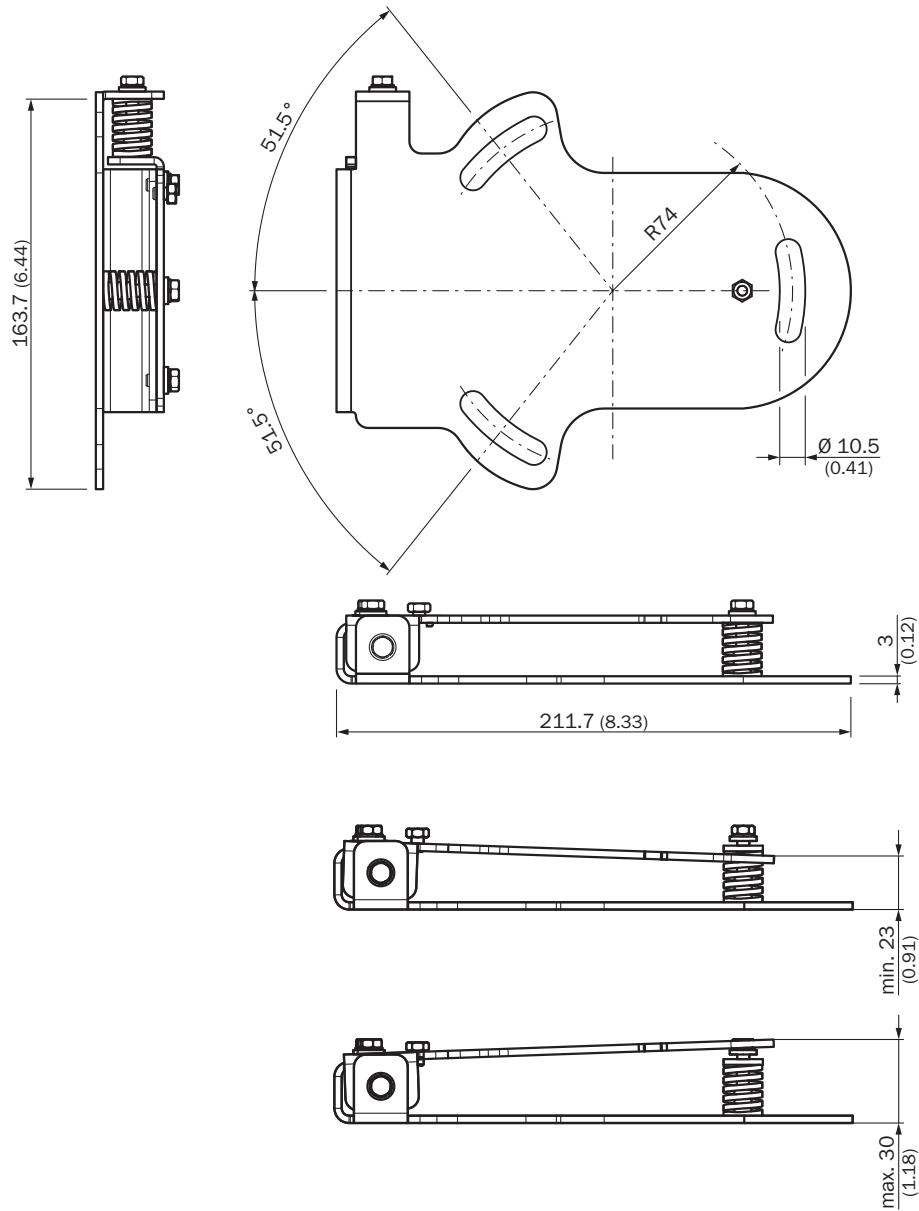
## Classifications

<b>ECLASS 5.0</b>	19039001
<b>ECLASS 5.1.4</b>	19039001
<b>ECLASS 6.0</b>	19179090
<b>ECLASS 6.2</b>	19179090
<b>ECLASS 7.0</b>	19179090
<b>ECLASS 8.0</b>	19179090
<b>ECLASS 8.1</b>	19179090
<b>ECLASS 9.0</b>	19179090
<b>ETIM 5.0</b>	EC000515
<b>ETIM 6.0</b>	EC000515
<b>UNSPSC 16.0901</b>	43201404

## Certificates

<b>EU declaration of conformity</b>	✓
<b>UK declaration of conformity</b>	✓
<b>ACMA declaration of conformity</b>	✓
<b>Moroccan declaration of conformity</b>	✓
<b>China RoHS</b>	✓

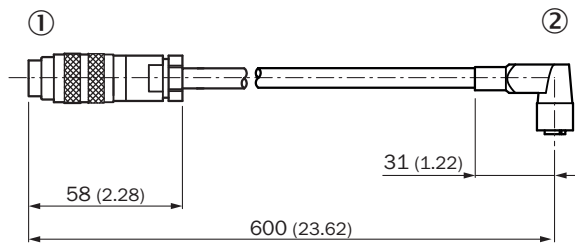
Dimensional drawing: BEF-DME/ISD



All dimensions in mm (inch)

Dimensions in mm (inch)

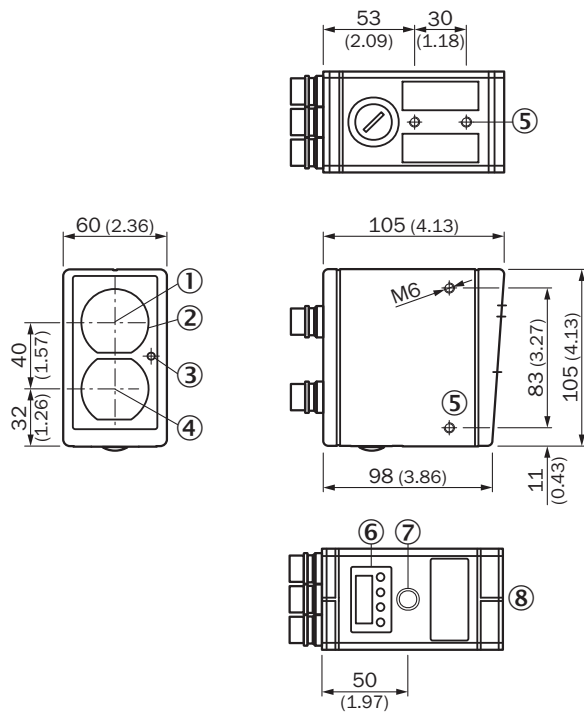
Dimensional drawing: DSC-1608-1208



Dimensions in mm (inch)

- ① Connector M16, 8-pin
- ② male connector M12, 8-pin

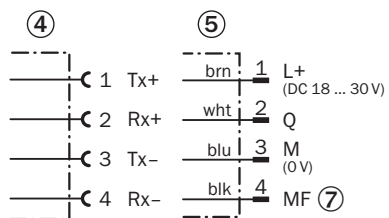
Dimensional drawing, sensor



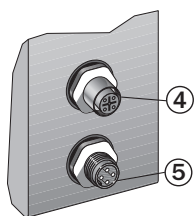
Dimensions in mm (inch)

- ① Optical axis, sender
- ② View finder lens
- ③ Function indicator/level warning
- ④ Optical axis, receiver
- ⑤ Threaded mounting hole M6
- ⑥ Liquid crystal display with function keys
- ⑦ Optical adjustment aid
- ⑧ Alignment sight

### Connection type ISD400 Ethernet

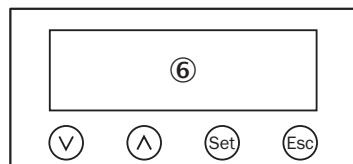


### Anschlusschema



⑦ Multifunctional input (MF)


### Adjustments



⑥ Liquid crystal display with function keys

### Recommended accessories

Other models and accessories → [www.sick.com/ISD400](http://www.sick.com/ISD400)

	Brief description	Type	part no.
Mounting systems			
	<ul style="list-style-type: none"> <li><b>Description:</b> Alignment unit for DME4000/ISD400, aluminum, anodised</li> </ul>	BEF-DME/ISD	2046052

## SICK AT A GLANCE

SICK is one of the leading manufacturers of intelligent sensors and sensor solutions for industrial applications. A unique range of products and services creates the perfect basis for controlling processes securely and efficiently, protecting individuals from accidents and preventing damage to the environment.

We have extensive experience in a wide range of industries and understand their processes and requirements. With intelligent sensors, we can deliver exactly what our customers need. In application centers in Europe, Asia and North America, system solutions are tested and optimized in accordance with customer specifications. All this makes us a reliable supplier and development partner.

Comprehensive services complete our offering: SICK LifeTime Services provide support throughout the machine life cycle and ensure safety and productivity.

For us, that is “Sensor Intelligence.”

## WORLDWIDE PRESENCE:

Contacts and other locations –[www.sick.com](http://www.sick.com)