



ISD400-1111

ISD400

OPTICAL DATA TRANSMISSION

SICK
Sensor Intelligence.



Ordering information

Type	part no.
ISD400-1111	1042286

Other models and accessories → www.sick.com/ISD400

Illustration may differ



Detailed technical data

Features

Product segment	Optical data transmission
Product	ISD400
Product version	ISD400 Core
Housing material	Metal
Enclosure rating	IP65
Light source	LED, infrared, 880 nm
Power consumption	¹⁾
Ambient operating temperature	-25 °C ... +55 °C
Relative humidity	90 %, Non-condensing
Weight	Approx. 900 g

¹⁾ Without load.

Mechanics/electronics

Supply voltage V_s	DC 18 V ... 30 V
Power consumption	≤ 4.8 W ¹⁾
Transmission range	0.2 m 180 m
Connection type	Connector, M12, 4-pin
Enclosure rating	IP65
Protection class	III

¹⁾ Without load.

Performance

Transmission range	0.2 m ... 180 m
Light source	LED, infrared (880 nm)
Typ. light spot size (distance)	1.75 m (at 100 m)

Interfaces

PROFIBUS DP		✓
	Data transmission rate	3 Mbit/s
Digital input		V _S : sender deactivated
Digital output	Number	1 ¹⁾
	Type	PNP
Signal delay		≤ 1 μs, + 2 Tbit ²⁾

¹⁾ HIGH: U_v - 3 V, LOW: < 2 V.

²⁾ 1 μs + 2 Tbit only for PROFIBUS.

Ambient data

Electromagnetic compatibility (EMC)	EN 61000-6-2 ¹⁾ EN 61000-6-4
Ambient temperature, operation	-25 °C ... +55 °C
Max. rel. humidity (not condensing)	90 %, Non-condensing

¹⁾ This is a Class A device. This device can cause radio interference in living quarters.

General notes

Note	2 devices are required to construct a data transmission path. The devices are identical and must be ordered separately. Frequencies F1 and F2 can be set.
-------------	---

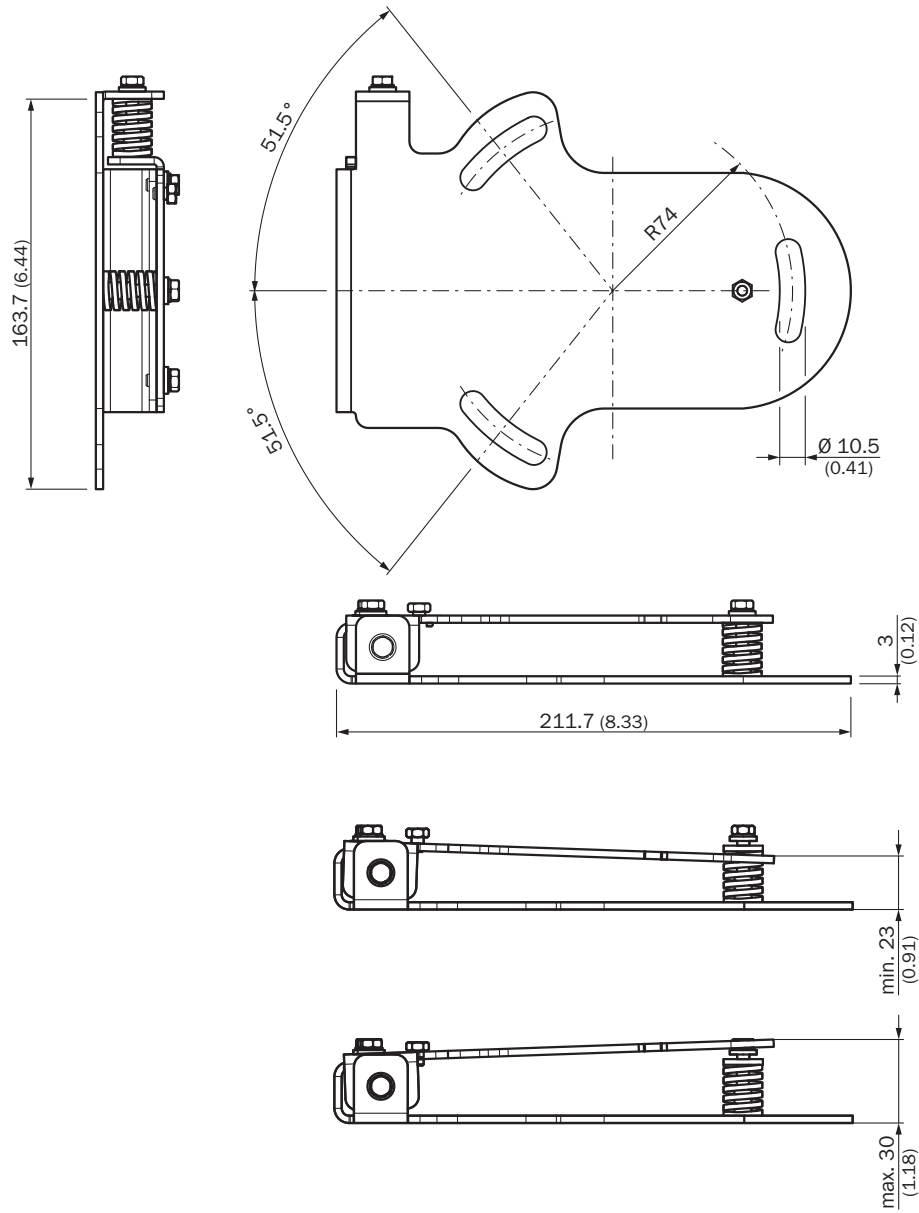
Classifications

ECLASS 5.0	19039001
ECLASS 5.1.4	19039001
ECLASS 6.0	19179090
ECLASS 6.2	19179090
ECLASS 7.0	19179090
ECLASS 8.0	19179090
ECLASS 8.1	19179090
ECLASS 9.0	19179090
ETIM 5.0	EC000515
ETIM 6.0	EC000515
UNSPSC 16.0901	43201404

Certificates

EU declaration of conformity	✓
UK declaration of conformity	✓
ACMA declaration of conformity	✓
Moroccan declaration of conformity	✓
China RoHS	✓

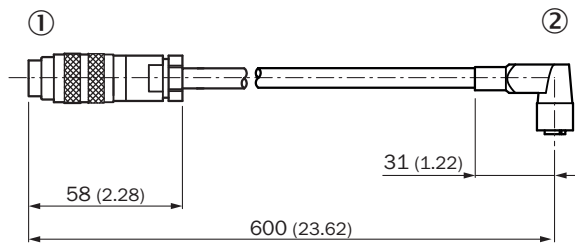
Dimensional drawing: BEF-DME/ISD



All dimensions in mm (inch)

Dimensions in mm (inch)

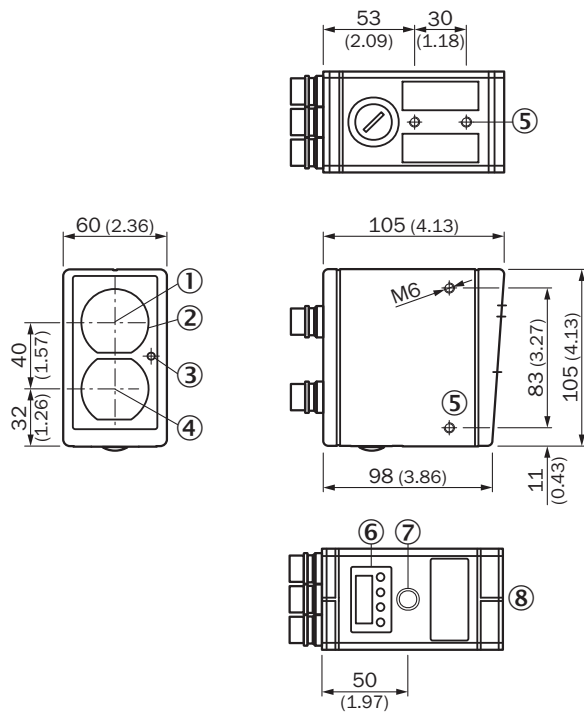
Dimensional drawing: DSC-1608-1208



Dimensions in mm (inch)

- ① Connector M16, 8-pin
- ② male connector M12, 8-pin

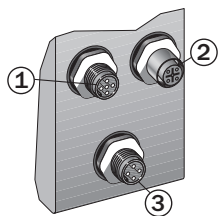
Dimensional drawing, sensor



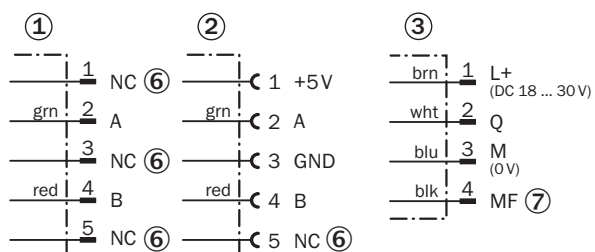
Dimensions in mm (inch)

- ① Optical axis, sender
- ② View finder lens
- ③ Function indicator/level warning
- ④ Optical axis, receiver
- ⑤ Threaded mounting hole M6
- ⑥ Liquid crystal display with function keys
- ⑦ Optical adjustment aid
- ⑧ Alignment sight

Connection type ISD400 RS-485/PROFIBUS



Anschlusschema



- ⑥ NC = not connected
- ⑦ Multifunctional input (MF)


Adjustments



⑥ Liquid crystal display with function keys

Recommended accessories

Other models and accessories → www.sick.com/ISD400

	Brief description	Type	part no.
Mounting systems			
	<ul style="list-style-type: none"> • Description: Alignment unit for DME4000/ISD400, aluminum, anodised 	BEF-DME/ISD	2046052

SICK AT A GLANCE

SICK is one of the leading manufacturers of intelligent sensors and sensor solutions for industrial applications. A unique range of products and services creates the perfect basis for controlling processes securely and efficiently, protecting individuals from accidents and preventing damage to the environment.

We have extensive experience in a wide range of industries and understand their processes and requirements. With intelligent sensors, we can deliver exactly what our customers need. In application centers in Europe, Asia and North America, system solutions are tested and optimized in accordance with customer specifications. All this makes us a reliable supplier and development partner.

Comprehensive services complete our offering: SICK LifeTime Services provide support throughout the machine life cycle and ensure safety and productivity.

For us, that is “Sensor Intelligence.”

WORLDWIDE PRESENCE:

Contacts and other locations –www.sick.com