

UE410-EN3

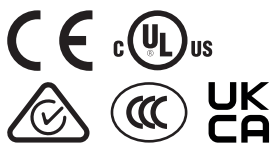
Flexi Classic

SAFETY CONTROLLERS

SICK
Sensor Intelligence.



Illustration may differ



Ordering information

Type	part no.
UE410-EN3	1042193

Other models and accessories → www.sick.com/Flexi_Classic

Detailed technical data

Features

Module	Gateway
Fieldbus, industrial network	Modbus® TCP

Interfaces

Connection type	2 x female connector, RJ-45
Integrated Ethernet switch	3-port layer-2 managed switch with Auto-MDI-X for automatic detection of crossed Ethernet cable
Data transmission rate	(10Base-T) (100Base-T) autosensing
Application diagnostic outputs	4 (X1 - X4)
Application diagnostic output connection type	Plug-in screw-type terminals
Display elements	LEDs
Fieldbus, industrial network	Modbus® TCP

Electronics

Protection class	III (EN 61140)
Voltage supply	Via FLEXBUS
Power consumption	≤ 2.4 W (DC)
Internal power consumption	≤ 2.4 W (DC)

Mechanics

Dimensions (W x H x D)	22.5 mm x 96.5 mm x 120.8 mm
Weight	+ 160 g

Ambient data

Enclosure rating	
-------------------------	--

	Housing	IP40 (EN 60529)
	Terminals	IP20 (EN 60529)
Ambient operating temperature		-25 °C ... +55 °C
Storage temperature		-25 °C ... +70 °C
Air humidity		≤ 95 %, Non-condensing
Climate conditions according to		EN 61131-2 (55 °C ambient operating temperature, 95% rel. humidity)
Electromagnetic compatibility (EMC)		Class A (EN 61000-6-2, EN 55011)
Vibration resistance		5 g RMS, 5 Hz ... 500 Hz (EN 60068-2-64)

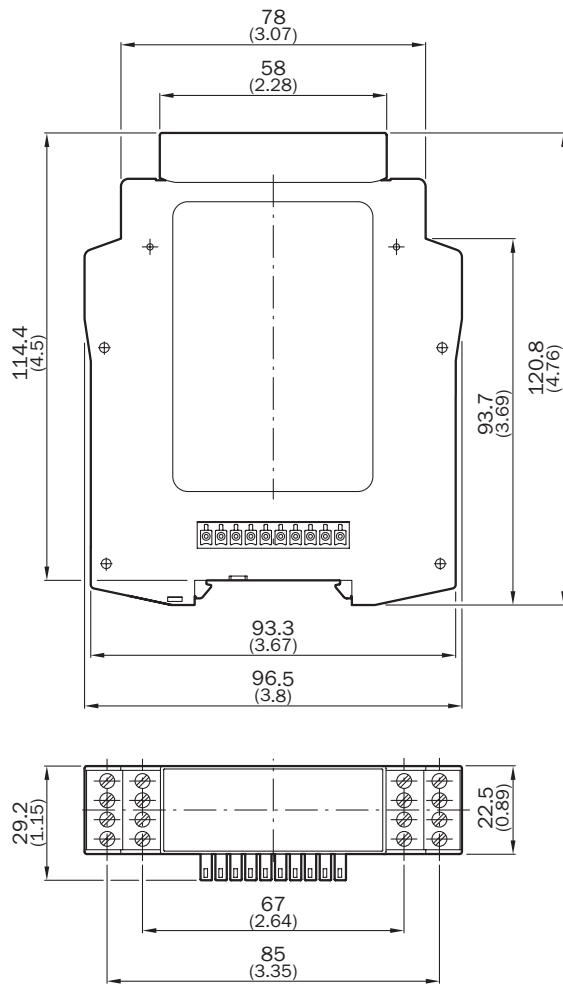
Certificates

EU declaration of conformity	✓
UK declaration of conformity	✓
ACMA declaration of conformity	✓
China RoHS	✓
CCC certificate	✓
cULus certificate	✓
Information according to Art. 3 of Data Act (Regulation EU 2023/2854)	✓

Classifications

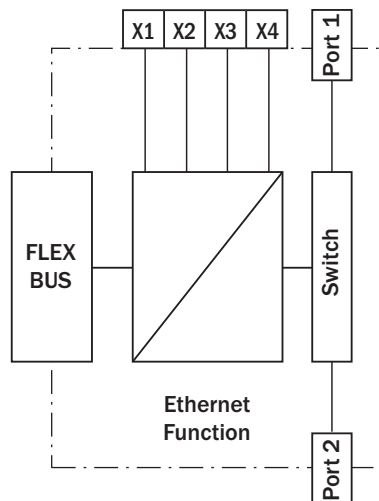
ECLASS 5.0	27243001
ECLASS 5.1.4	27243101
ECLASS 6.0	27243101
ECLASS 6.2	27243101
ECLASS 7.0	27243101
ECLASS 8.0	27243101
ECLASS 8.1	27243101
ECLASS 9.0	27243101
ECLASS 10.0	27243101
ECLASS 11.0	27243101
ECLASS 12.0	27243101
ETIM 5.0	EC001449
ETIM 6.0	EC001449
ETIM 7.0	EC001449
ETIM 8.0	EC001449
UNSPSC 16.0901	32151705

Dimensional drawing



Dimensions in mm (inch)

Connection diagram



SICK AT A GLANCE

SICK is one of the leading manufacturers of intelligent sensors and sensor solutions for industrial applications. A unique range of products and services creates the perfect basis for controlling processes securely and efficiently, protecting individuals from accidents and preventing damage to the environment.

We have extensive experience in a wide range of industries and understand their processes and requirements. With intelligent sensors, we can deliver exactly what our customers need. In application centers in Europe, Asia and North America, system solutions are tested and optimized in accordance with customer specifications. All this makes us a reliable supplier and development partner.

Comprehensive services complete our offering: SICK LifeTime Services provide support throughout the machine life cycle and ensure safety and productivity.

For us, that is “Sensor Intelligence.”

WORLDWIDE PRESENCE:

Contacts and other locations –www.sick.com