

Caméras de sécurité
V300 Work Station Extended

V30W-0101000



Type produit V30W-0101000
Numéro de commande 1041542

- Simplest integration
- Intuitive one button set up
- One system fits all protective field sizes
- Flexible protective field geometries
- Automatic alignment
- Restart/reset, EDM integrated



Note: A resolution set has to be ordered separately. See "Accessories" for further details.



Informations techniques

Indice de protection:	IP 54 (CEI 60529)
Classe de protection:	III (EN 50178)
Type:	Type 3 (CEI 61496)
Classe de sécurité:	SIL 2 (CEI 61508), SILCL2 (EN 62061)
Catégorie:	3 (EN ISO 13849)
Performance Level:	PL d (EN ISO 13849)
PFHd:	3,2 * 1E-09
TM (Mission Time):	20 a
Maximum protective field range:	2,12 m, depending on resolution set
Minimum protective field size:	40 cm x 40 cm (depending on resolution set)
Maximum protective field size:	150 cm x 150 cm (depending on resolution set)
Aspect ratio protective field:	1:1 to 2:1
Résolution:	20 mm, 24 mm, 30 mm, depending on resolution set
Wave length illumination:	850 nm
Tension d'alimentation:	24 V DC
Number of external device monitoring inputs:	1
Number of restart interlock inputs:	1
Number of teach/sync inputs:	1
Sorties TOR:	2
Consommation:	165 mA at 24 V without output load , 690 mA avec charge de sortie maximale
Courant de commutation:	6 mA ... 250 mA
Temps de réponse:	20 ms
Raccordement:	M12 x 8
Dimensions (l x H x P):	90 mm x 50 mm x 90 mm

Température d'utilisation, de ... à:

0 °C ... 50 °C

Applications

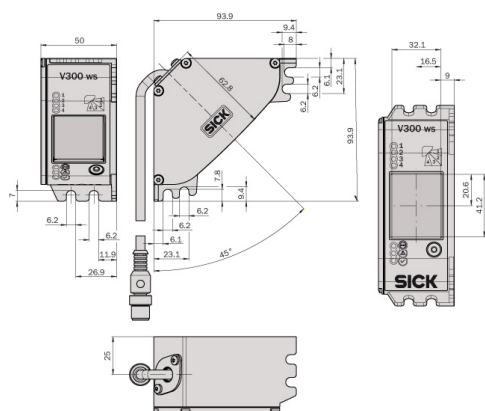
Hazardous point protection:

✓

Hazardous area protection:

✓

Plan coté



Australia

Phone +61 3 9497 4100
1800 33 48 02 – tollfree
E-Mail sales@sick.com.au

Belgium/Luxembourg

Phone +32 (0)2 466 55 66
E-Mail info@sick.be

Brasil

Phone +55 11 3215-4900
E-Mail sac@sick.com.br

Ceská Republika

Phone +420 2 57 91 18 50
E-Mail sick@sick.cz

China

Phone +852-2763 6966
E-Mail ghk@sick.com.hk

Danmark

Phone +45 45 82 64 00
E-Mail sick@sick.dk

Deutschland

Phone +49 211 5301-301
E-Mail kundenservice@sick.de

España

Phone +34 93 480 31 00
E-Mail info@sick.es

France

Phone +33 1 64 62 35 00
E-Mail info@sick.fr

Great Britain

Phone +44 (0)1727 831121
E-Mail info@sick.co.uk

India

Phone +91-22-4033 8333
E-Mail info@sick-india.com

Israel

Phone +972-4-999-0590
E-Mail info@sick-sensors.com

Italia

Phone +39 02 27 43 41
E-Mail info@sick.it

Japan

Phone +81 (0)3 3358 1341
E-Mail support@sick.jp

Nederlands

Phone +31 (0)30 229 25 44
E-Mail info@sick.nl

Norge

Phone +47 67 81 50 00
E-Mail austefjord@sick.no

Österreich

Phone +43 (0)22 36 62 28 8-0
E-Mail office@sick.at

Polska

Phone +48 22 837 40 50
E-Mail info@sick.pl

Republic of Korea

Phone +82-2 786 6321/4
E-Mail info@sickkorea.net

Republika Slovenija

Phone +386 (0)1-47 69 990
E-Mail office@sick.si

România

Phone +40 356 171 120
E-Mail office@sick.ro

Russia

Phone +7 495 775 05 34
E-Mail info@sick-automation.ru

Schweiz

Phone +41 41 619 29 39
E-Mail contact@sick.ch

Singapore

Phone +65 6744 3732
E-Mail admin@sicksgp.com.sg

Suomi

Phone +358-9-25 15 800
E-Mail sick@sick.fi

Sverige

Phone +46 10 110 10 00
E-Mail info@sick.se

Taiwan

Phone +886 2 2375-6288
E-Mail sales@sick.com.tw

Türkiye

Phone +90 216 587 74 00
E-Mail info@sick.com.tr

United Arab Emirates

Phone +971 4 8865 878
E-Mail info@sick.ae

USA/Canada/México

Phone +1(952) 941-6780
1 800-325-7425 – tollfree
E-Mail info@sickusa.com

More representatives and agencies
in all major industrial nations at
www.sick.com